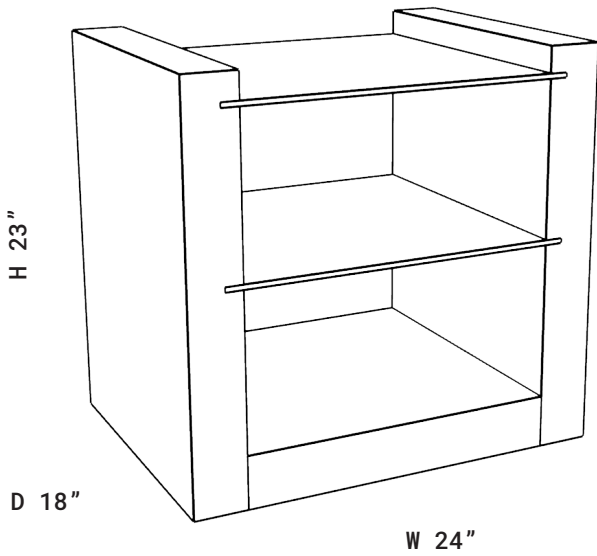


BLUEPRINT COLLECTION:  
**THE CHARLES**



"The Charles is the real deal."

An absolute unit. You don't have to worry about him being a one-season wonder, he's here for the long haul, baby. Once you've caught a glimpse of him, you'll be hooked for life, because he's the kind of man that you want to hold onto forever.

**SPEC**

---

W 24"

H 23"

D 18"

**AVAILABLE FINISHES**

---

**NATURAL**



brut



dune

**DARK**



brut



carbon

