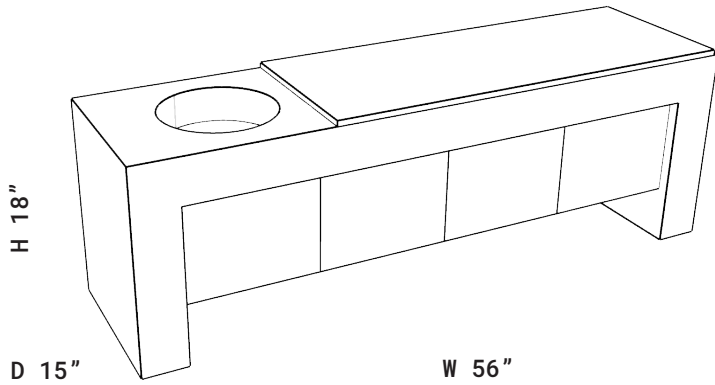


BLUEPRINT COLLECTION:  
**THE GENE**



"Let me tell you about the boy next door..."

Th best friend you could ever have.

**SPEC**

---

<b>OVERALL</b>	<b>CATCH-ALL DISH</b>
W 56"	DIA 10"
H 18"	DEPTH 2"
D 15"	

**AVAILABLE FINISHES**

---

**NATURAL**



dune

**DARK**



carbon



shadow



shadow



grey



black

