

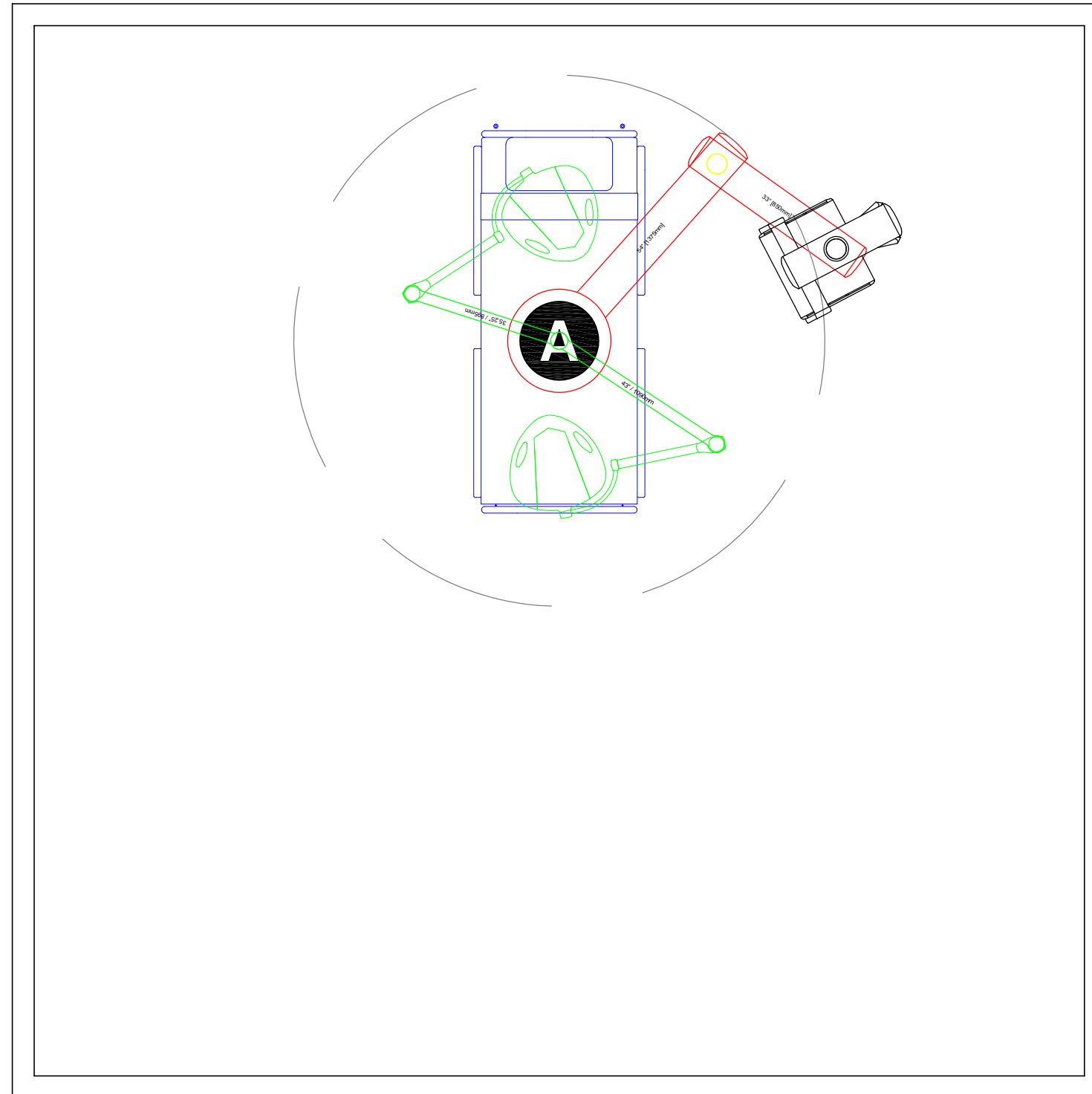


IN THE EVENT THAT FIXTURE LOCATIONS NEED TO CHANGE, PLEASE CHECK WITH SKYTRON ON THE REVISED LAYOUT LOCATION. FINAL CONSTRUCTION DOCUMENTS SHOULD BE PROVIDED BY THE ARCHITECT.



GENERIC LAYOUT

EQUIPMENT SCHEDULE	
ID	DESCRIPTION
A	EQUIPMENT / DUAL LIGHTS
* IF SKYVISION IS APPLICABLE REFER TO THE LAST PORTION OF BOOM PACKAGE*	



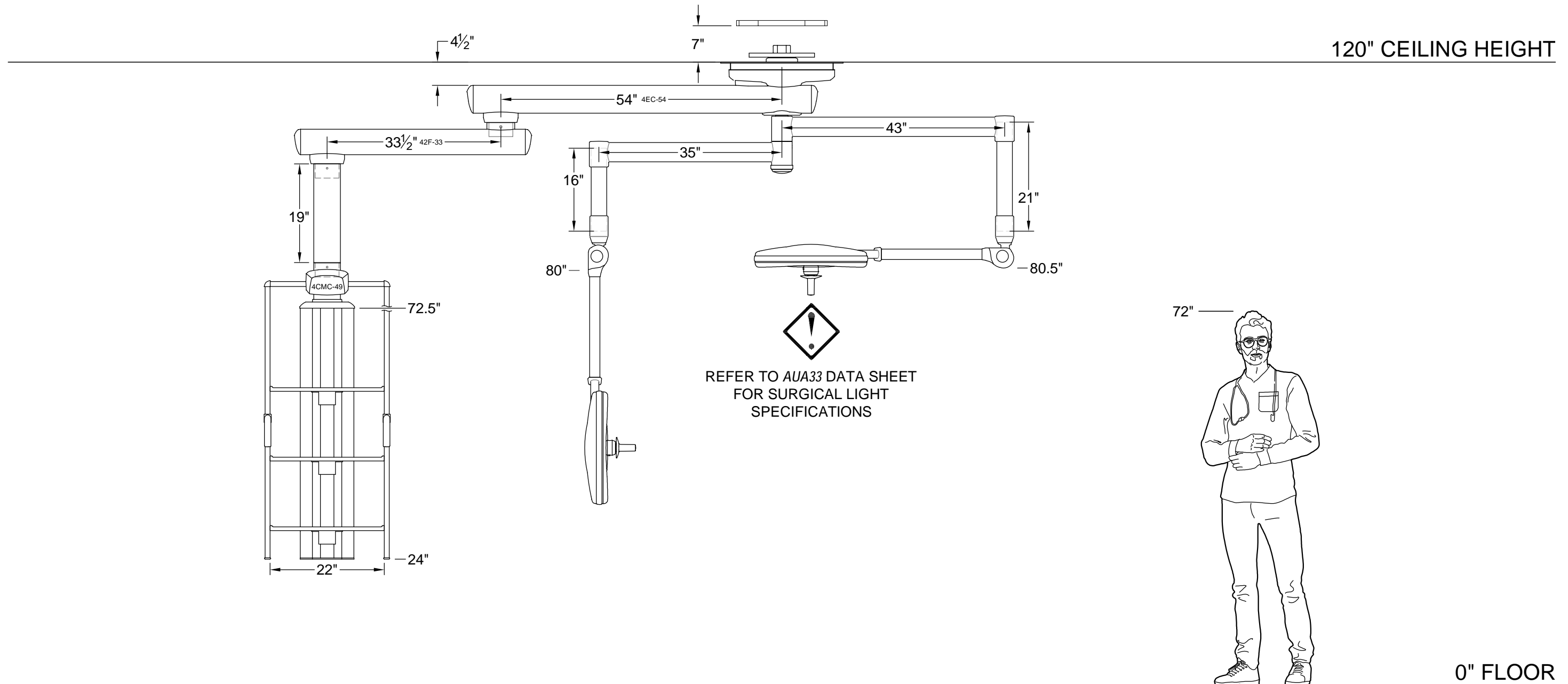
INITIAL: _____
DATE: _____

PROJECT #: 21-000
PRELIMINARY
PLOT DATE: 9/07/2021

ED / TRAUMA

ROOM TYPE: TRAUMA
REV #: 0
DESCRIPTION: ROOM LAYOUT

SHEET
00



ED / TRAUMA

QTY: 1
REV #: 0
MODEL: F310 SERIES
DESCRIPTION: ELEVATION DETAILS

REF #: C-75285

SHEET
A1

INITIAL: _____
DATE: _____

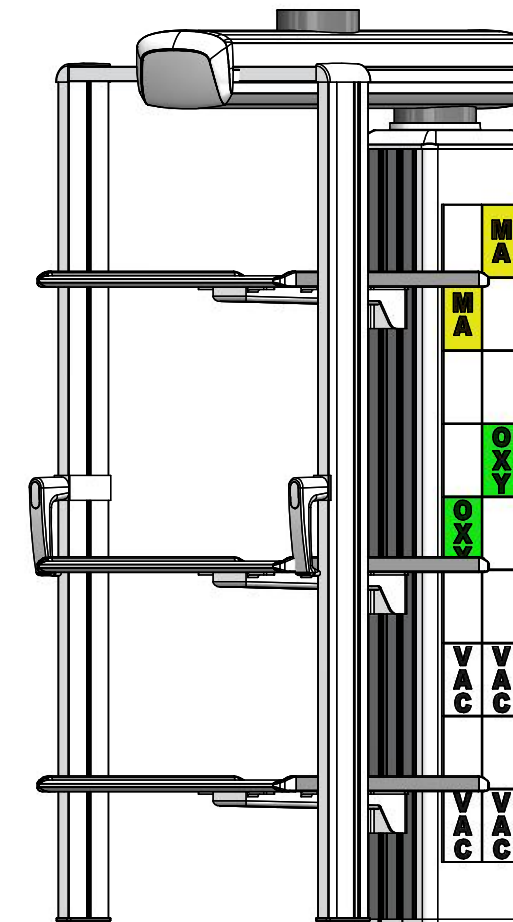
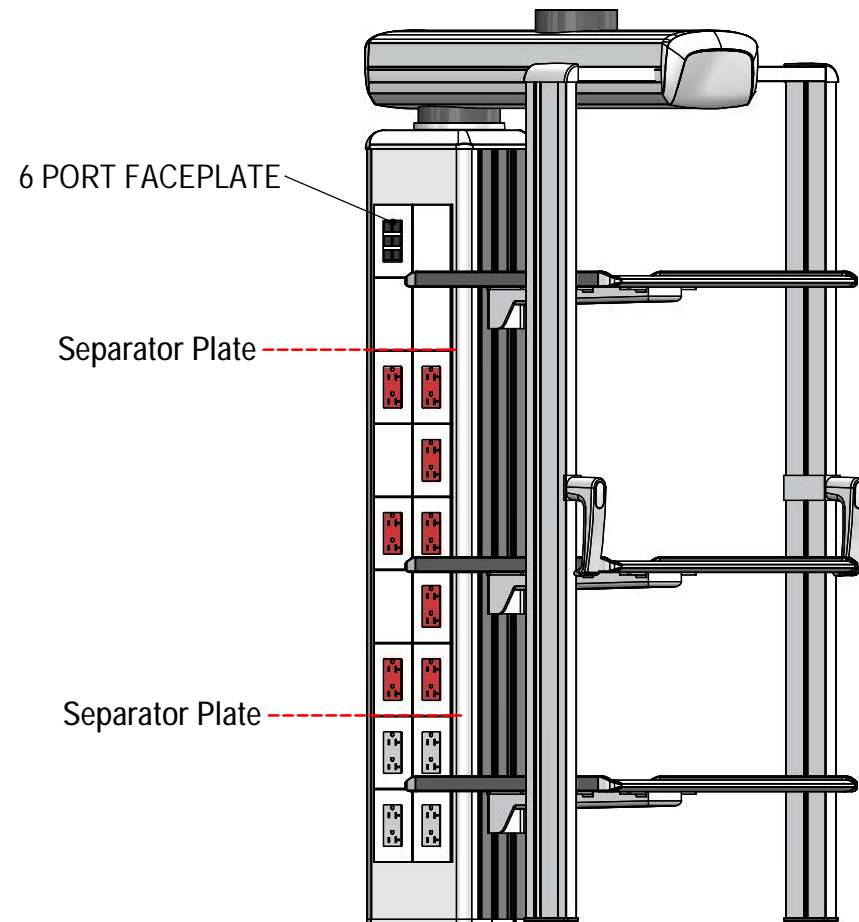
Max Fixture Weight: 990 lbs.
Max Moment Load: 5,539 ft. lbs.

Equipment Capacity: 4CMC-49 - 359 lbs.

Note:
Communications can only
be placed above the
top-most separator plate

FRONT-LEFT VIEW

FRONT-RIGHT VIEW



ELECTRICAL OUTLETS: (8) 125V, 20A DUPLEX - RED
(4) 125V, 20A DUPLEX - WHITE

GAS FACEPLATE STYLE: DISS CARRIER DIMENSIONS: 56"H x 24"W x 28.75"D

GAS COLOR KEY:

CARBON DIOXIDE	MEDICAL AIR	OXYGEN
HELIOX	NITROGEN	VACUUM
INSTRUMENT AIR	NITROUS OXIDE	WAGD

DESCRIPTION	QTY.
MEDICAL AIR	2
OXYGEN	2
VACUUM	4

INITIAL: _____
DATE: _____

FOR A COMPLETE LIST OF ACCESSORIES
REFER TO YOUR QUOTE

ED / TRAUMA

QTY: 1
REV #: 0
REF #: C-75285
MODEL: F310 SERIES
DESCRIPTION: CARRIER DETAILS

SHEET
A2