

DARELO



LED Linear
Architectural



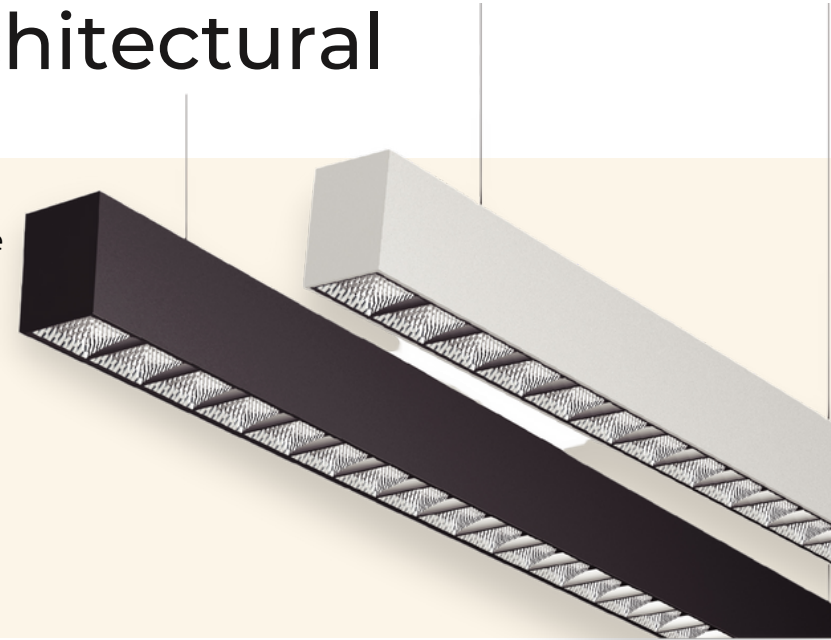
■ Features

- Surge protector.
- 1 Single & CCT both available.
- Different patterns of connection with T/L/X corner.
- Polycarbonate milky diffuser is snapped into housing.
- Direct Indirect Light available.
- Damp Location Rated.

LED Linear Architectural

Our new **LED Linear Architectural Fixture** these luminaires long optics to distribute the light over a more narrow area than with traditional lighting.

This simple concept revolutionized the way we light spaces.



■ Commonly Used



Conference Room



Hallway



Reception Area

Specifications

ITEM	ITEM NO.	POWER	VOLTS	LIFETIME	Length (IN)	WIDTH (IN)	HEIGHT (IN)
LED LNR/20W/24"	DA-5381	20W	120-277	50,000hrs+	24.02	2.76	3.35
LED LNR/30W/35"	DA-5388	30W	120-277	50,000hrs+	35.71	2.76	3.35
LED LNR/40W/47"	DA-5382	40W	120-277	50,000hrs+	47.44	2.76	3.35
LED LNR/60W/71"	DA-5389	60W	120-277	50,000hrs+	71.06	2.76	3.35
LED LNR/80W/94"	DA-5383	80W	120-277	50,000hrs+	94.49	2.76	3.35

Photometric

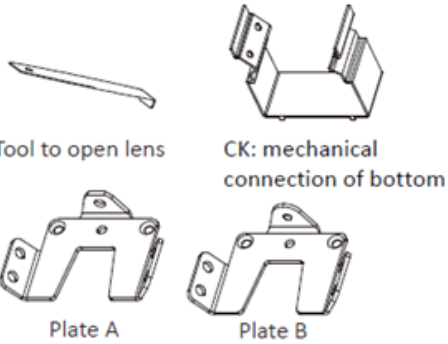
ITEM	ITEM NO.	CCT	LUMEN	EFFICACY	BEAM ANGLE	CRI
LED LNR/20W/24"	DA-5381	35K,40K,50K	2,200-2,400LM	110-120lm/w	H102.4 V96.0	>80
LED LNR/30W/35"	DA-5388	35K,40K,50K	3,300-3,600LM	110-120lm/w	H102.4 V96.0	>80
LED LNR/40W/47"	DA-5382	35K,40K,50K	4,400-4,800LM	110-120lm/w	H102.4 V96.0	>80
LED LNR/60W/71"	DA-5389	35K,40K,50K	6,600-7,200LM	110-120lm/w	H102.4 V96.0	>80
LED LNR/80W/94"	DA-5383	35K,40K,50K	8,800-9,600LM	110-120lm/w	H102.4 V96.0	>80

Available Colors

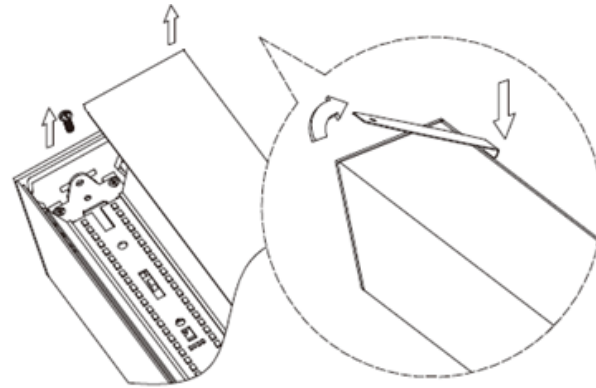


Installation Guide

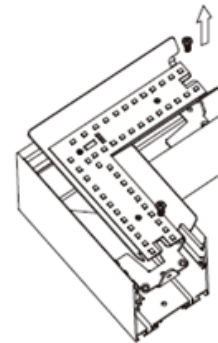
CONNECTION



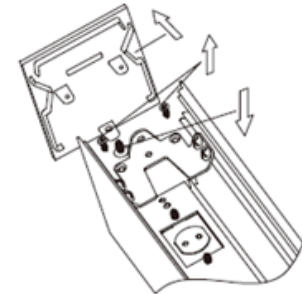
Note: Each fixture will have Plate A and Plate B when you make connection, please make sure Plate A connect with Plate B



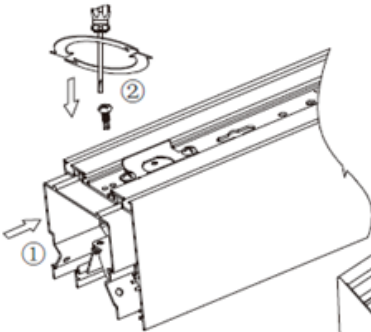
Step 1: Take off the lens



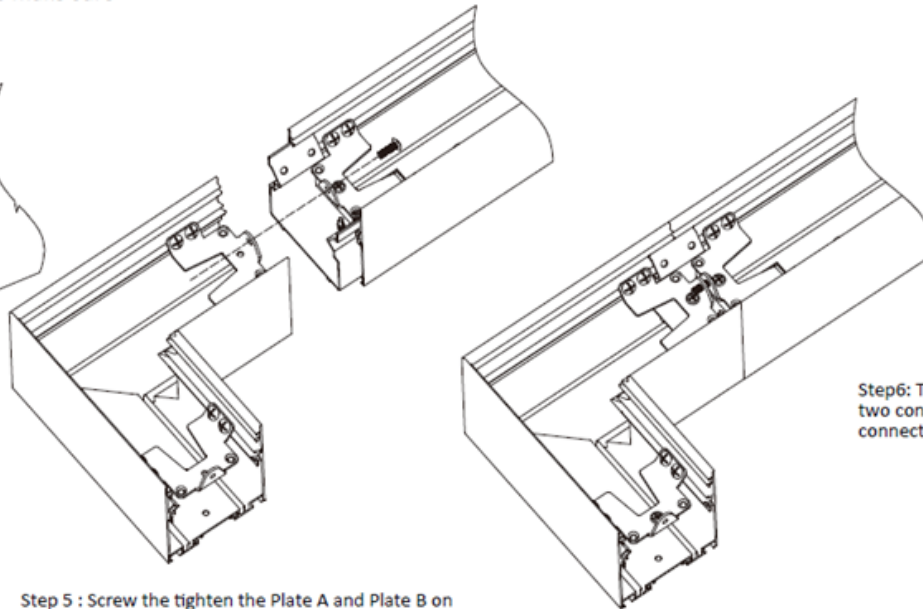
Step 2: Loosen the screw of reflector



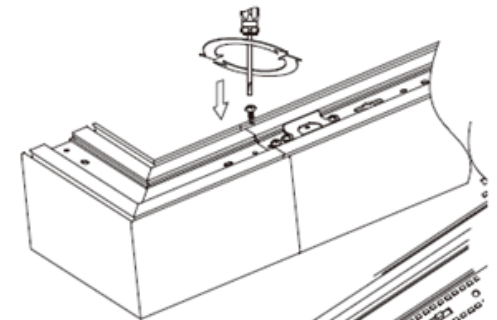
Step 3: Loosen the screws of the end cap



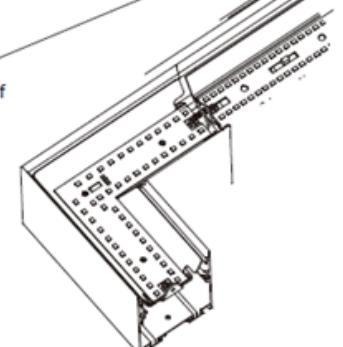
Step 4: Sliding the CK into the fixture



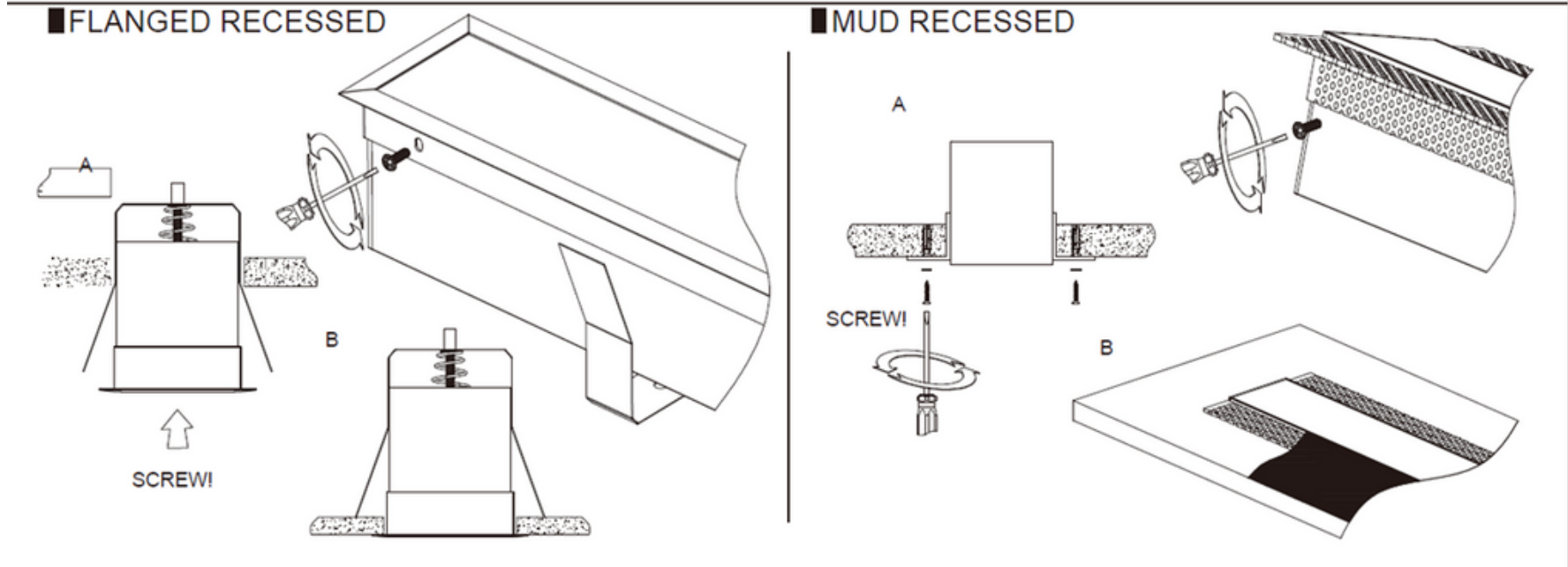
Step 5 : Screw the tight the Plate A and Plate B on two fixtures together



Step 6: Then Screw on the back of two connected fixtures into the connection plate



Installation Guide



Flexibility In Mounting

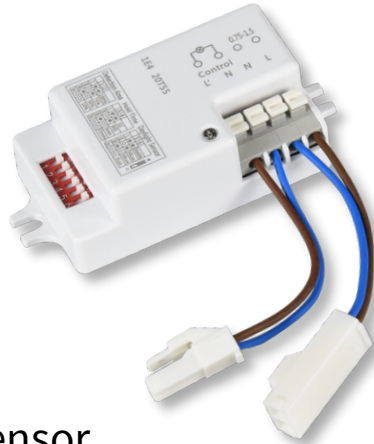


Different connection



Accessories To Be Added Separated

1. Sensor & Emergency it | DA-5390

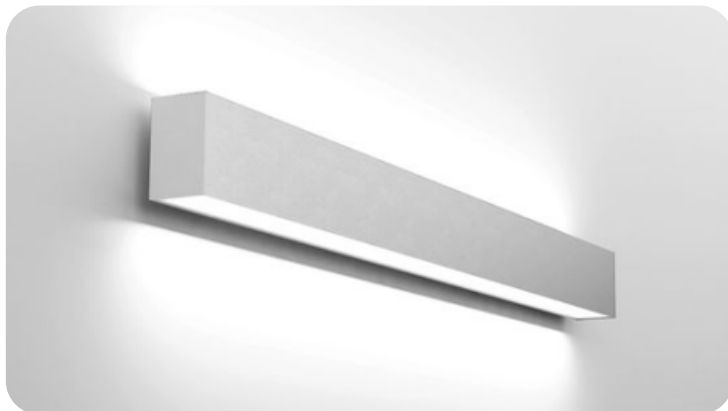


Internal
Microwave
Dimming Sensor



8W 90mins EM Backup
Lithium Battery

2. Wall mounted | DA-5392



Wall mounted kit

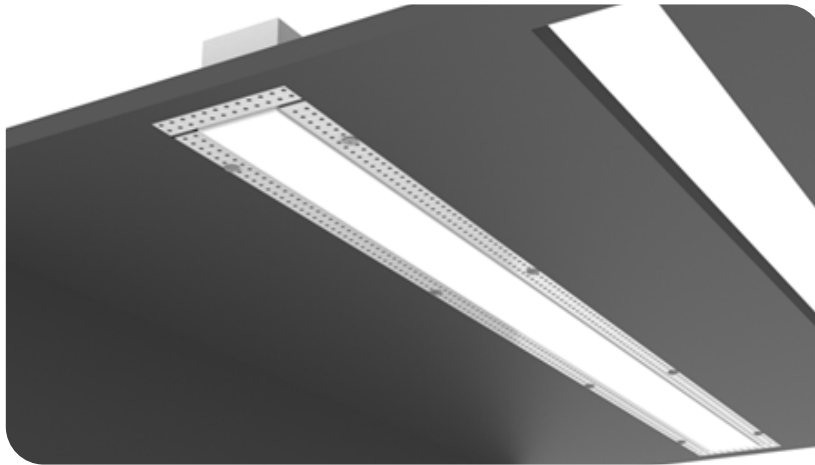
3. Suspended Kit | DA-5384



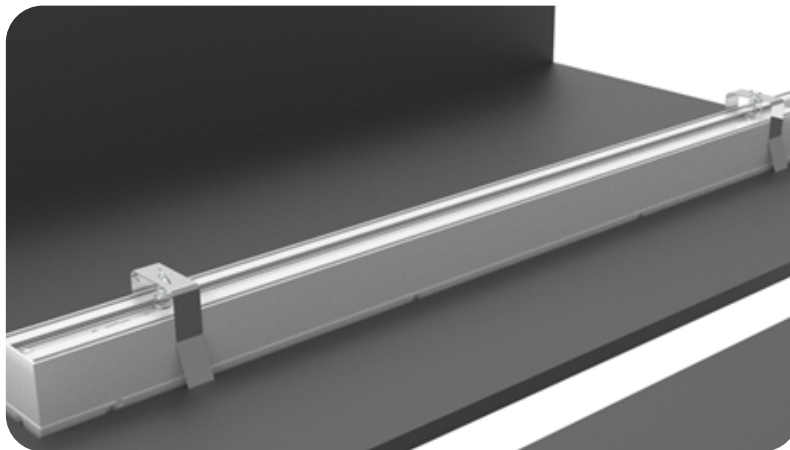
Aircraft cable & Canopy kit

■ Accessories To Be Added Separated

4. Recessed Kit | ■ DA-5391



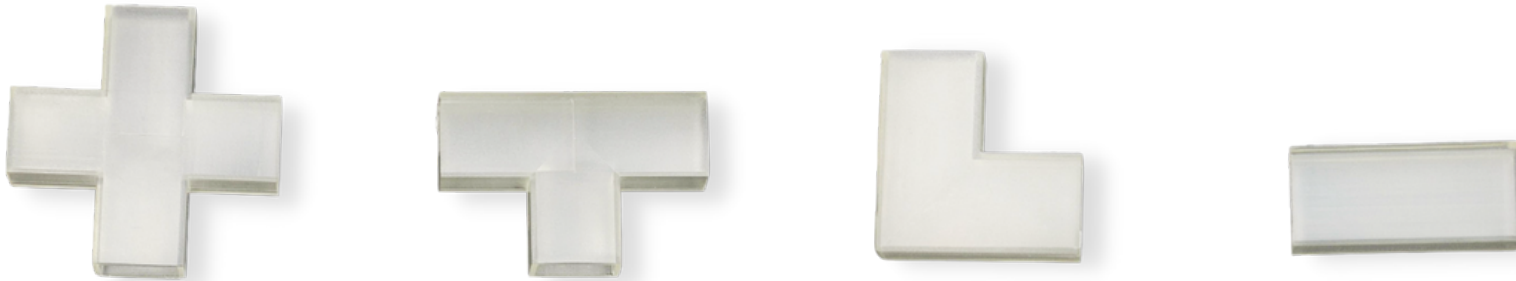
Trimless recessed (Mud in flange)



Trim Recessed (Recessed Kit)

■ Accessories To Be Added Separated

5. Different Joiners | ■ DA-5393



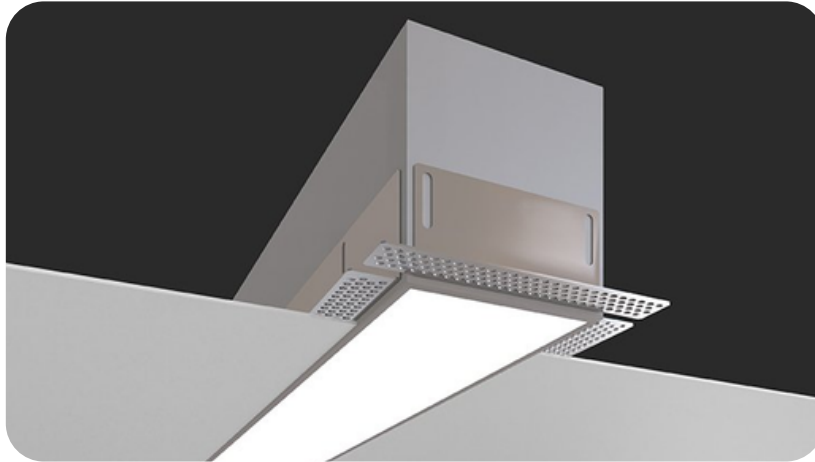
Corner Fitting

6. Louver lens accessories | ■ DA-5394



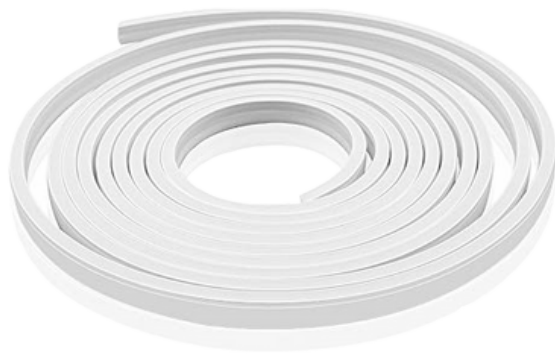
■ Accessories To Be Added Separated

7. Regressed Lens Accessories | ■ DA-5395



Trimless recessed (Mud in flange)

8. Continuous Roll-out Lens | ■ DA-5395



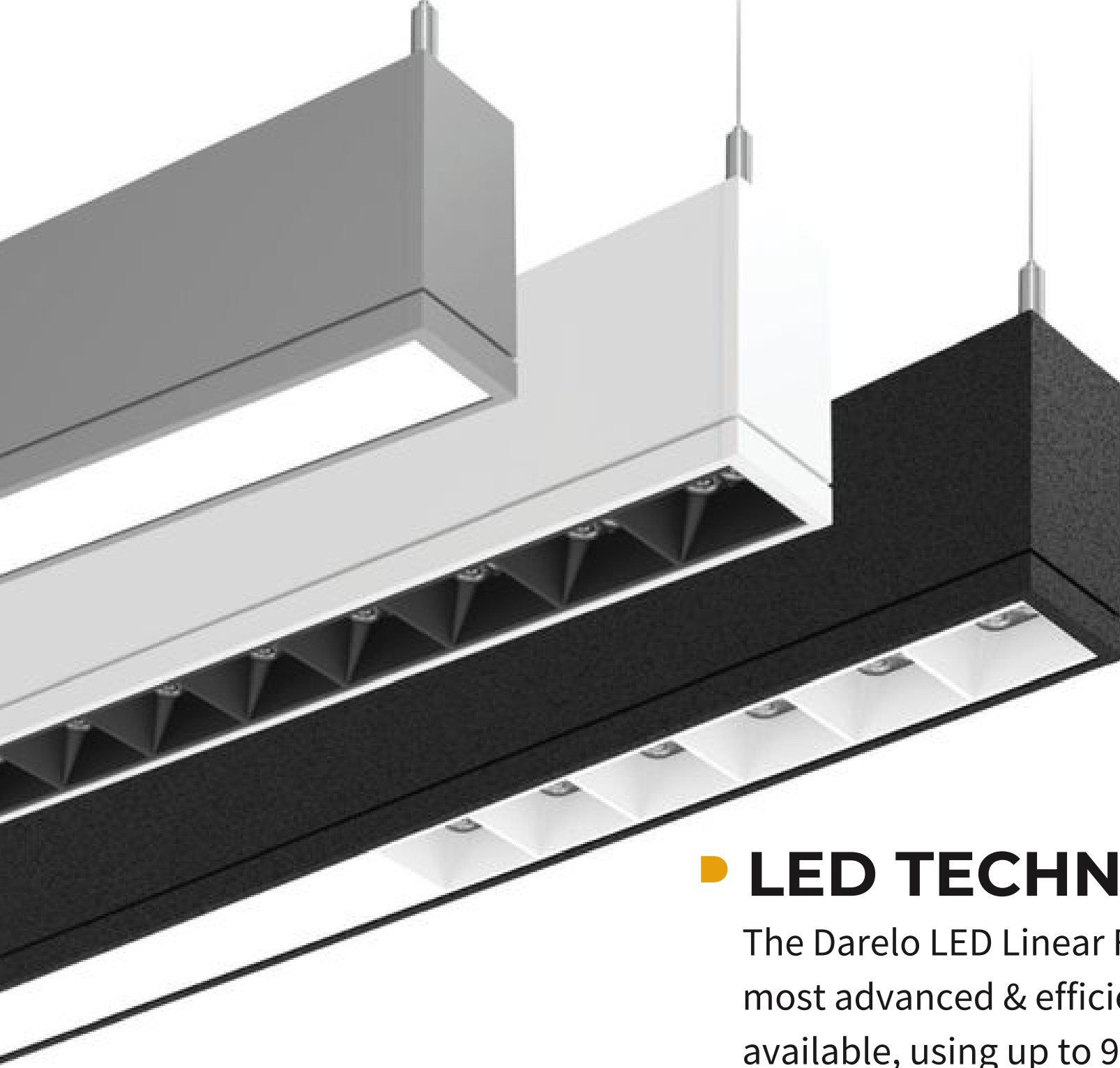
Continuous milky lens (upto 98ft)



9. Connective Kits | ■ DA-5385



- **Versatile & Aesthetic**
Completely revolutionised lighting design



■ **LED TECHNOLOGY**

The Darelo LED Linear Fixture offers the most advanced & efficient light source available, using up to 90% less energy.

DARELO

We Make It Easy to Choose

Contact Info

Email : sales@darelo.com

Tel No : 845-241-8536

Website : www.darelo.com