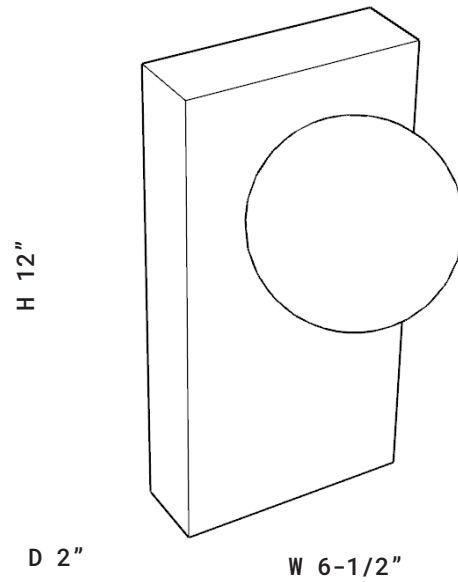


BLUEPRINT COLLECTION:  
**THE STER**



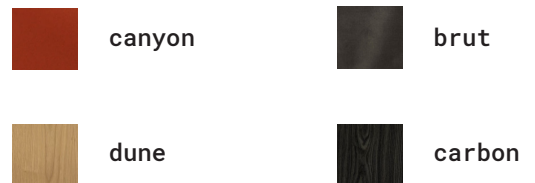
SPEC GLOBE

W 6-1/2"    DIA 5-1/2"

H 12"

D 2"

AVAILABLE FINISHES



ILLUMINATION

Socket                          E12  
Bulb                                  EMORY ALLEN 4.5W E12 BULB (120V USA)  
Brightness                          450 LUMENS  
Lamp Qty                                  1

