

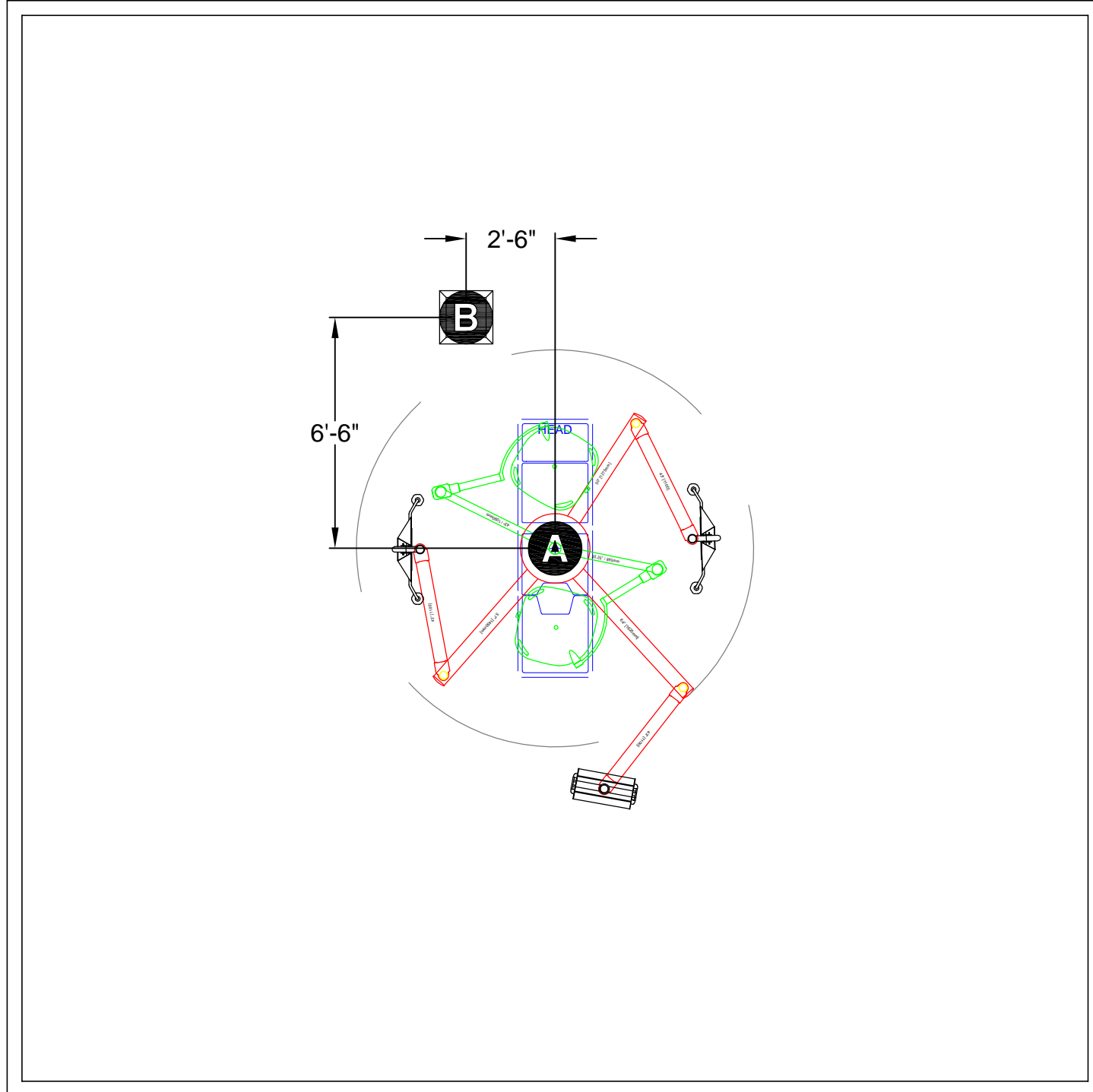


IN THE EVENT THAT FIXTURE LOCATIONS NEED TO CHANGE, PLEASE CHECK WITH SKYTRON ON THE REVISED LAYOUT LOCATION. FINAL CONSTRUCTION DOCUMENTS SHOULD BE PROVIDED BY THE ARCHITECT.



GENERIC LAYOUT

EQUIPMENT SCHEDULE	
ID	DESCRIPTION
A	ANESTHESIA
B	UTILITY / MONITOR / MONITOR W/ DUAL LIGHTS
* IF SKYVISION IS APPLICABLE REFER TO THE LAST PORTION OF BOOM PACKAGE*	



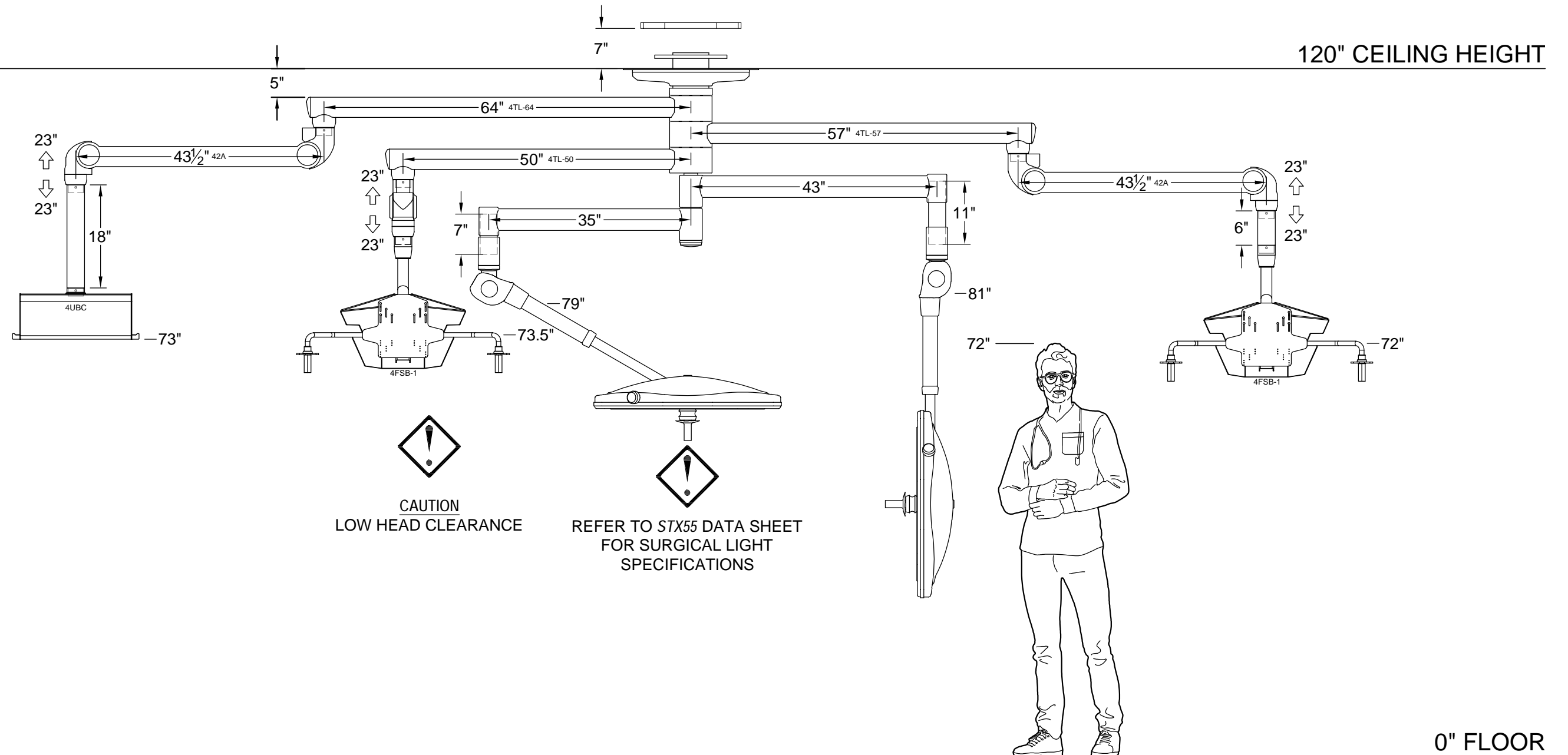
INITIAL: _____
DATE: _____

PROJECT #: 21-000
PRELIMINARY
PLOT DATE: 9/10/2021

AMBULATORY SURGERY
CENTER

ROOM TYPE: GEN OR
REV #: 0
DESCRIPTION: ROOM LAYOUT

SHEET
00

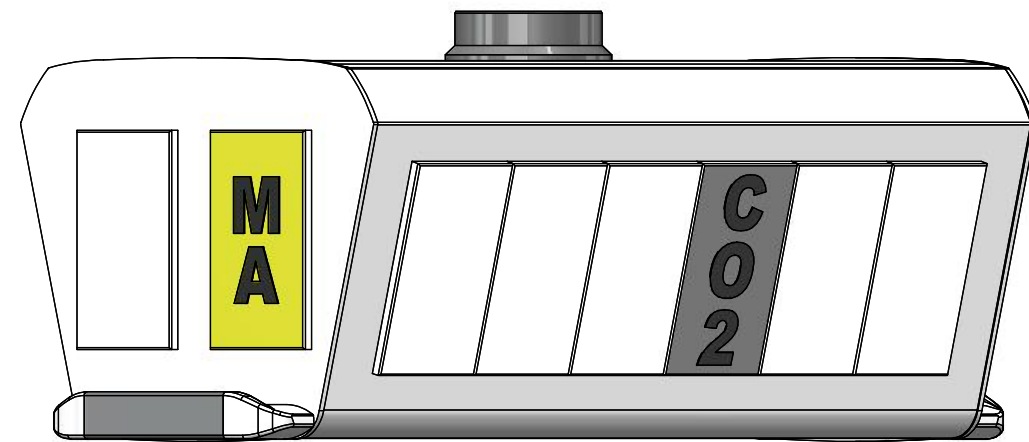
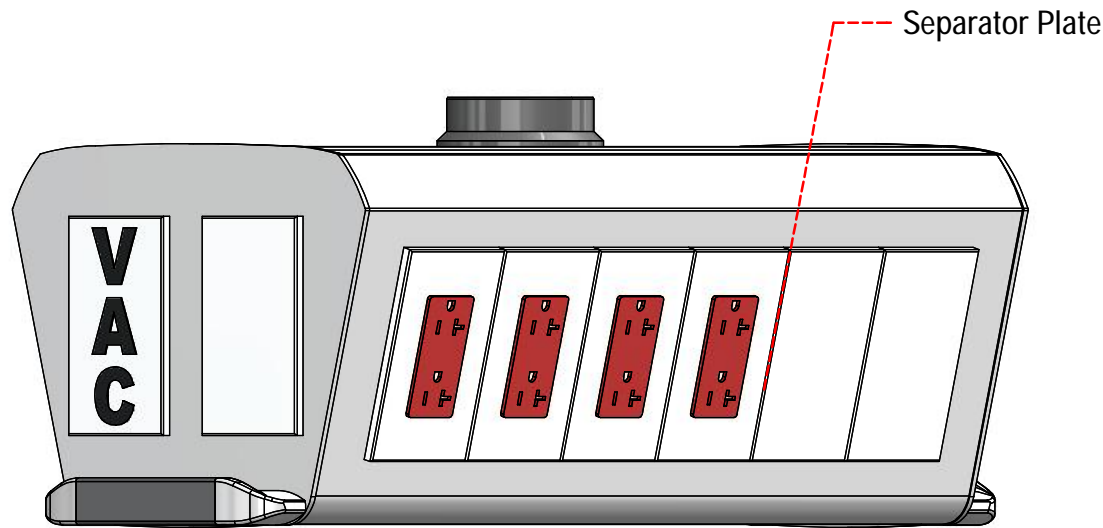


INITIAL: _____
DATE: _____

Max Fixture Weight: 944 lbs.
Max Moment Load: 4,296 ft. lbs.

Equipment Capacity: 4UBC - 4 lbs.
U. 4FSB-1 - 39 lbs.
L. 4FSB-1 - 41 lbs.

Note:
Communications can only
be placed to the right of the
right-most separator plate



ELECTRICAL OUTLETS: (4) 125V, 20A DUPLEX - RED

GAS FACEPLATE STYLE: DISS

CARRIER DIMENSIONS: 8"H x 22.25"W x 10.5"D

DESCRIPTION	QTY.
CARBON DIOXIDE (DISS)	1
MEDICAL AIR	1
VACUUM	1

GAS COLOR KEY:

- CARBON DIOXIDE
- MEDICAL AIR
- OXYGEN
- HELIOX
- NITROGEN
- VACUUM
- INSTRUMENT AIR
- NITROUS OXIDE
- WAGD

INITIAL: _____
DATE: _____

FOR A COMPLETE LIST OF ACCESSORIES
REFER TO YOUR QUOTE

PROJECT #: 21-000
PRELIMINARY
PLOT DATE: 9/10/2021

AMBULATORY SURGERY
CENTER

QTY: 1
REV #: 0

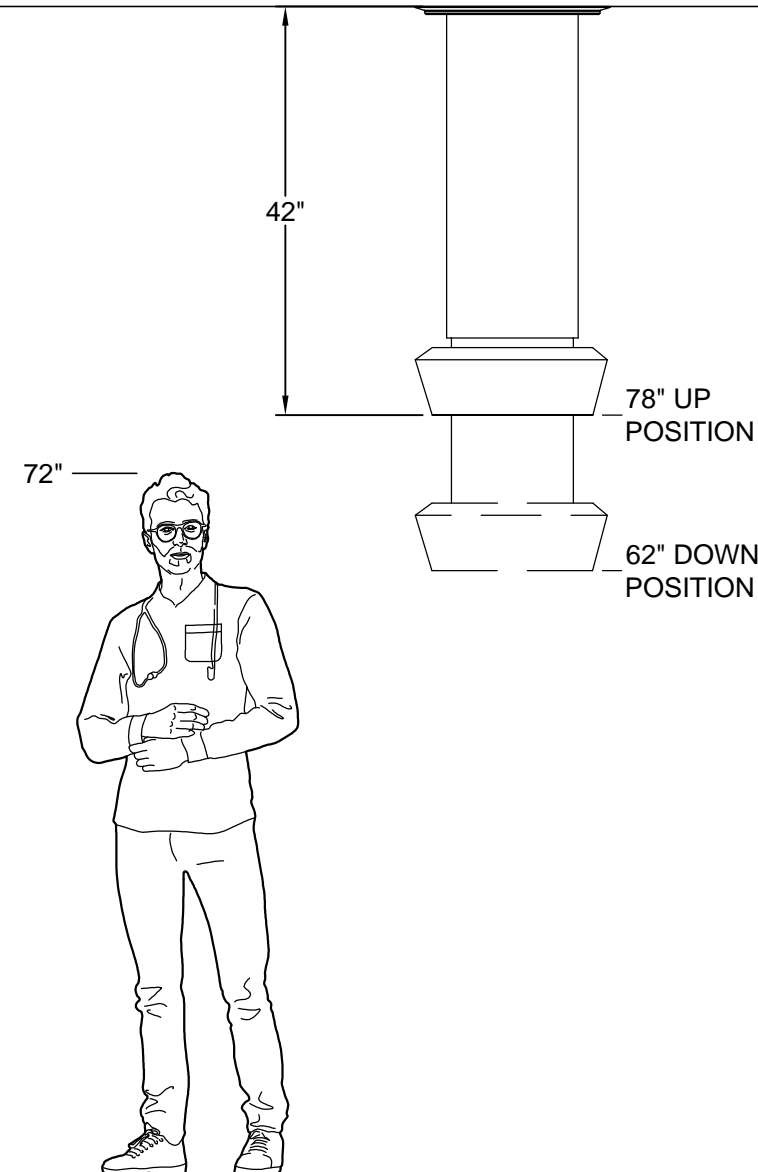
REF #: C-78297
MODEL: F130 SERIES
DESCRIPTION: CARRIER DETAILS

SHEET
A2

SITE SPECIFIC ELEVATION DETAILS

PROJECT #: 21-000
 PRELIMINARY
 PLOT DATE: 9/10/2021

120" CEILING HEIGHT



0" FLOOR

AMBULATORY SURGERY
 CENTER

REF #: C-78313 QTY: 1
 MODEL: COL-EL-SS-42 REV #: 0
 DESCRIPTION: ELEVATION DETAILS

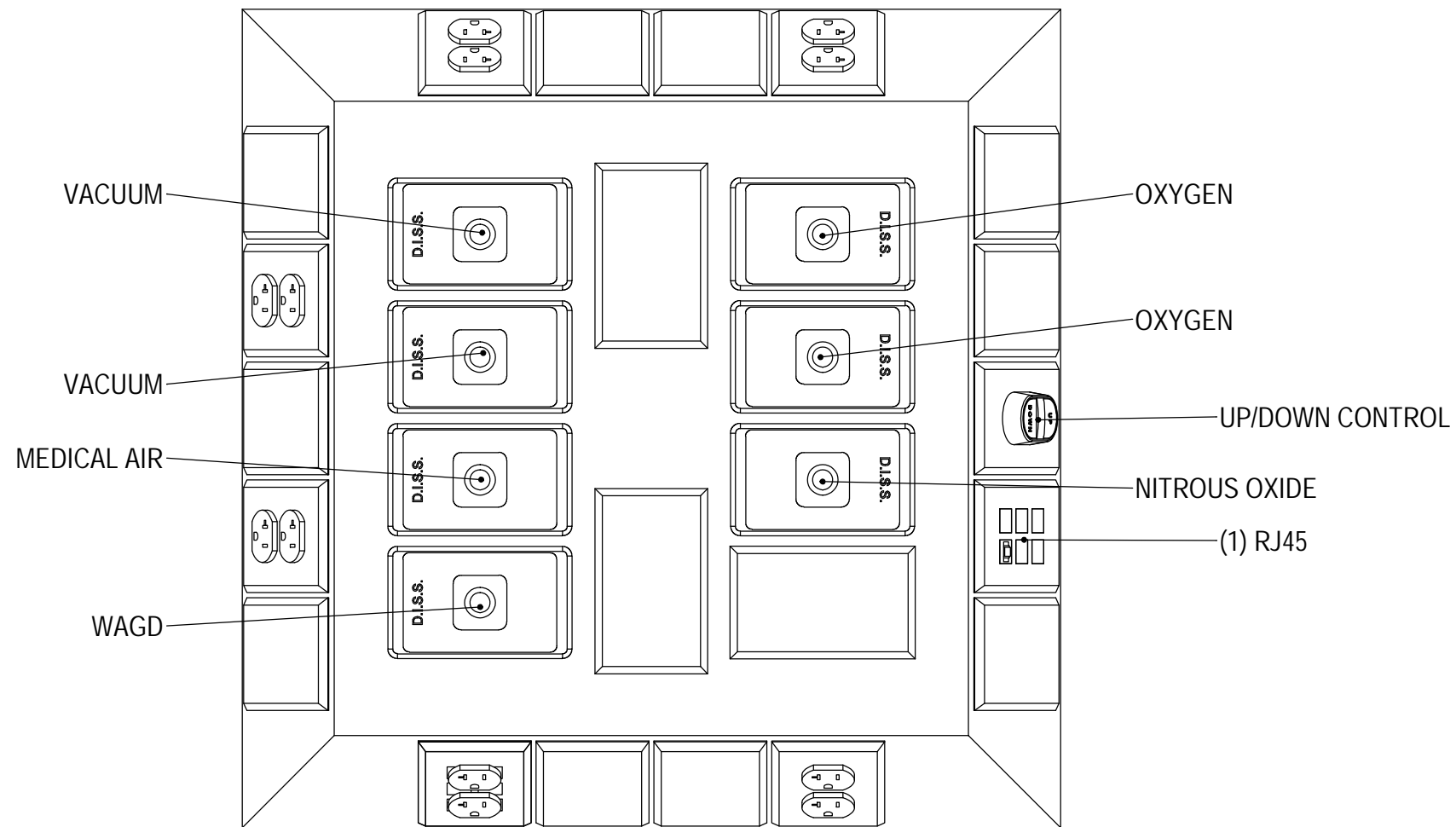
INITIAL: _____
 DATE: _____

Max Fixture Weight: 145 lbs.
Max Moment Load: 650 ft. lbs.

SCALE
B1

BOTTOM VIEW

ACCESS PANEL



ELECTRICAL OUTLETS: (6) 125V, 20A DUPLEX - RED

GAS FACEPLATE STYLE: DISS

CARRIER DIMENSIONS: 18" SQUARE BULLNOSE

INITIAL: _____
DATE: _____

FOR A COMPLETE LIST OF ACCESSORIES
REFER TO YOUR QUOTE

AMBULATORY SURGERY
CENTER

REF #: C-78313
MODEL: COL-EL-SS-42
DESCRIPTION: COLUMN DETAILS

PROJECT #: 21-000
PRELIMINARY
PLOT DATE: 9/10/2021

SHEET
B2