



proton  
EUROPE

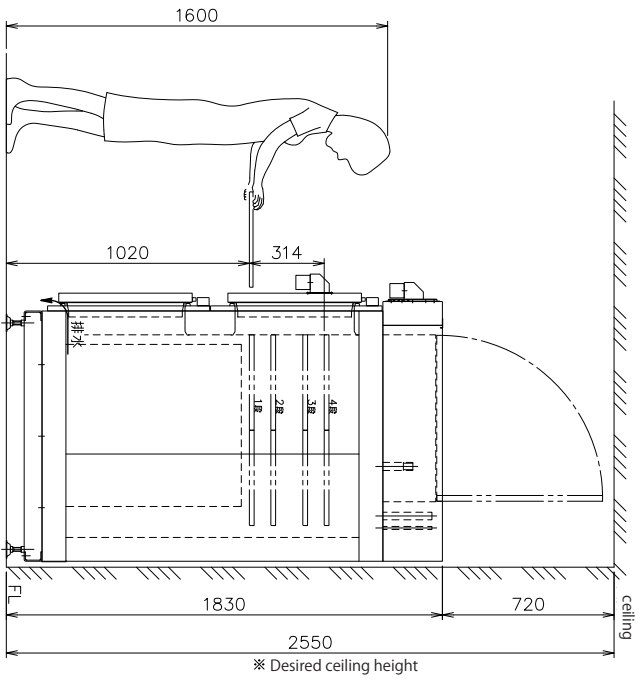
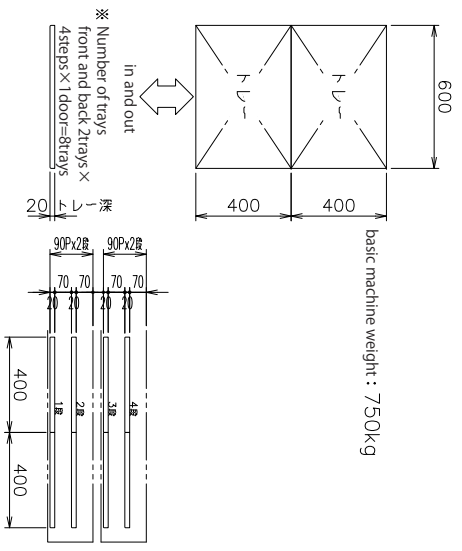
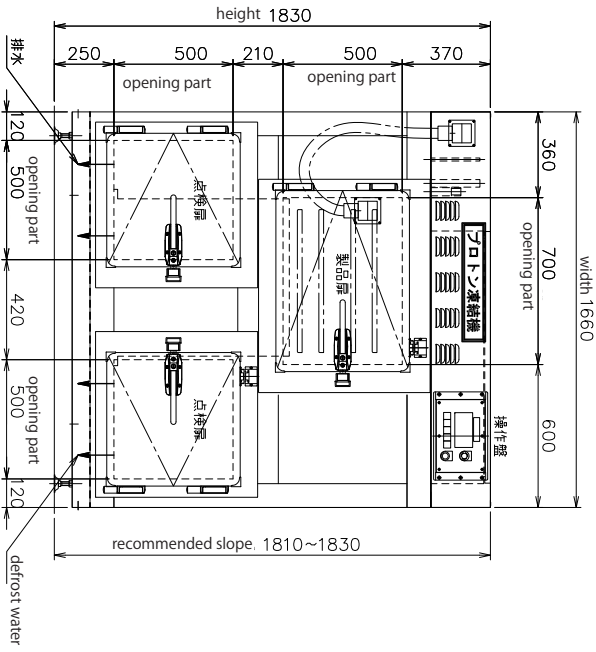
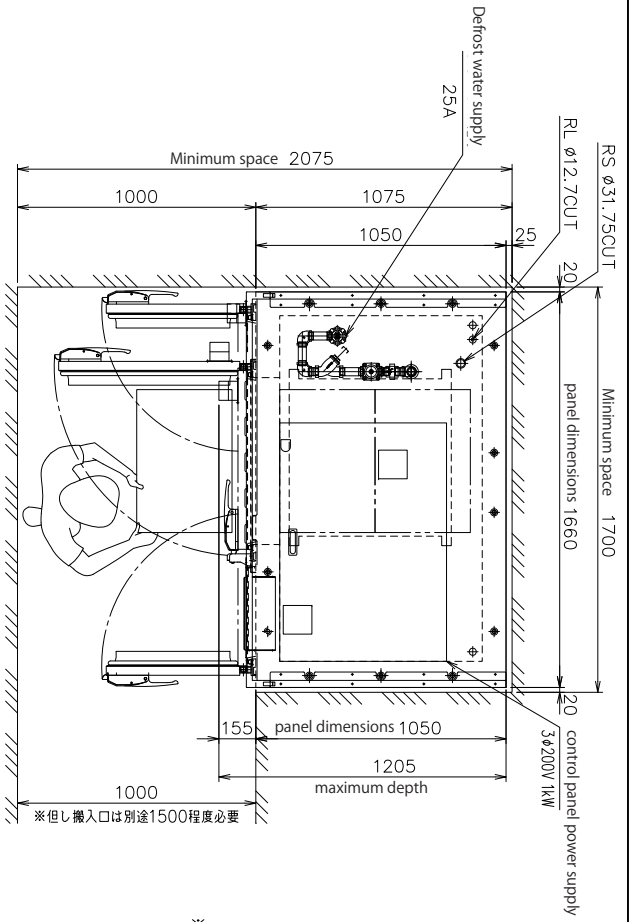
[www.proton-europe.com](http://www.proton-europe.com)

# CONGELADOR PROTON PF-30





RYOHO FREEZE SYSTEMS. CO.



CLIENT NAME

DRAWING NAME

フロートの凍結機 PF-30型 (Proton Freezer PF-30 type) 全体図

SCALE

1/20

DATE

2017/1/10

DRAWING NO.

PF30-4T-00B

## PF-30 specification Document

Chapter	Specification
Standard specification	
Use	foodstuffs rapid-freeze device
Inside temperature setting	air blast method -35°C~-38°C
A temperature of foodstuffs	Standard value at first about 20°C → -18°C
Throughput	30kg/h freezing
	It has the capability to freeze 30 kg per hour of food.
	Standard value The amount of moisture in food is made into 60%.
Freezing time	depending on food ,foods size ,properties of matter
	Please check a standard by a prior test.
Standard capacity	With trays : SUS304 600×400×20H 8 pieces
	(Trays which can be stored)
	1 room ( 8trays)
	available options : with trays 12 piece (Trays which can be stored)
	Maximum storing height : 190mm
Dimensional outline drawing	Refer to attached sheet.
Trays sizes	SUS304 600W×400D×20H
Transmitter sets	Transmitter amplifier x 1 Antennas x 4
The set of "yoke unit mechanism"	「600W×800D×190 H」×a row ×2 sets
Main body	Main aggregate : SUS304
	heat insulator : Urethane panel facebar ; SUS304
Freezing machine	R404A、"integrated air cooled type condensing unit"
	(installed outdoors)
Coolig fan	SUS blower
Coolig machine	copper pipe , an aluminum fin Cation electrodeposition coating
Continuous operation hours	8 hours
Defroster system	watering method
Main body weight	about 750kg
Equipment work	
Electrical equipment and water supply and drainage of factory structure	Electric supply to a main body and an exterior unit (freezer) ※see annex flow sheet
Water supply	0.2MPa、25A
Electricity	Electric supply to a main body and an operator control panel
	rated power : 1kW ( 3Φ 200V )
	Electric supply to an exterior unit (freezer)
	rated power : 5.5kW ( 3Φ 200V )
Drainage	A watering defroster is performed from a front door of main body.