

Full Spectrum Sanctuary C by Clearlight®



Features

Therapeutic Far Infrared Heaters

Our exclusive True Wave® combination carbon/ceramic low EMF / low ELF heaters surround you in healing infrared heat.

True Wave® Full Spectrum Heaters

Our full spectrum near, mid and far infrared heaters deliver over 20 times the power of the nearest leading competitor. Our patented heating system allows for the deepest penetration with peak performance for the best results.

Doctor Designed Ergonomic Bench

Relax in comfort with our reversible bench. The extra deep bench is ergonomic on one side and flat on the other for maximum comfort. The bench can be flipped at any time.

Italian Inspired Design & Glass Roof

The open feel and beautiful design of your Sanctuary sauna will compliment every room.

Beautiful Accent Lights

Energy efficient LED lights highlight the beauty of your sauna while providing gentle ambient lighting.

Built-in Charging & Audio Station

Charge your tablet or smartphone inside the sauna and connect your favorite audio device with Bluetooth or the included MP3 jack.

Built-in Ergonomic Backrest

Relax close to the soothing infrared heat against the Chiropractor designed built-in ergonomic backrest.

Combination Door Handle/Tablet Cradle For Easy Media Viewing

Place your tablet on the door handle for easy viewing of your favorite shows or movies.

Exclusive Under Floor Foot Heater

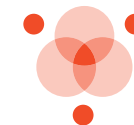
All Clearlight Sanctuary Saunas include a heater underneath the wood floor to enhance your sauna session.



Enhanced Audio Sound System
Bluetooth and AUX inputs makes it easy to connect and listen to your audio devices.



Digital Keypad Controls
Never Fail™ digital keypad controls temperature, time, lights, heater intensity and reservation mode.

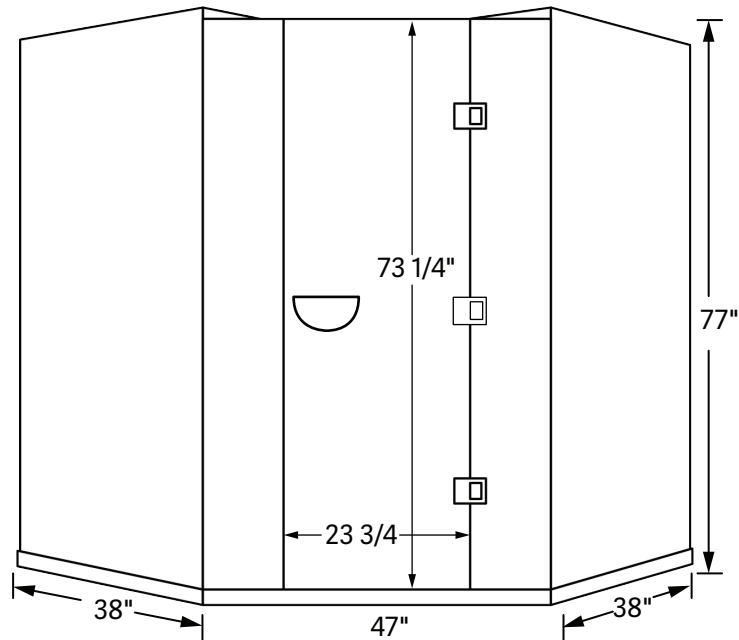


Color Light Therapy
Your Sanctuary sauna comes standard with our healing Chromotherapy. Choose from one of twelve colors or auto-cycle through all color tones.

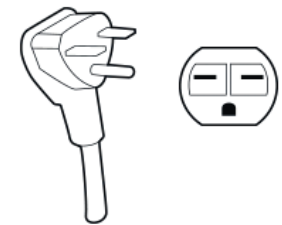
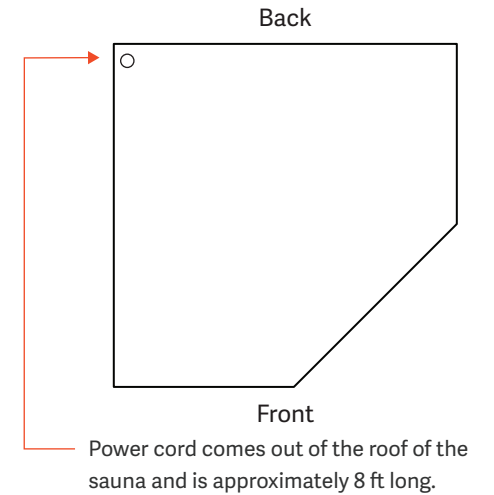
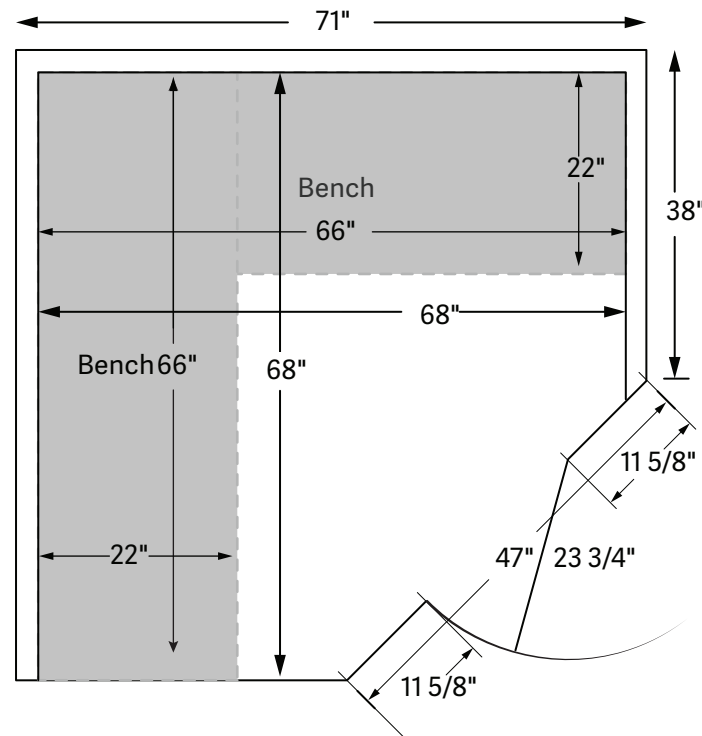


Tablet / Smartphone Control (Optional)
Log in from your tablet or smartphone and remotely operate your sauna.

Full Spectrum Sanctuary C by Clearlight®



Top View



240v / 15 Amp Electrical Circuit Required
NEMA 6-15p

Specifications

Construction

Eco-Certified wood choices:
Mahogany Exterior/Interior
Basswood Exterior/Interior
Tongue & Groove Construction
Weight: 640 lbs

Exterior

Back Walls: 71"
Side Walls: 38"
Front Wall: 47"
Height: 77"
Door: 23 3/4" x 73 1/4"

Interior

Width: 68"
Depth: 68"
Height: 74"
Bench: 66" x 22"
Bench Height: 20"

Heaters

True Wave® Carbon/Ceramic
Far infrared and full spectrum heaters
Power: 240V / 3,220W / 13.5A

Limited Lifetime Residential Warranty

Cabinetry & Glass
Electrical
Heaters
Controls



Attention: Make sure largest panel can fit through all access points from location entrance to sauna set up location

Full Spectrum Sanctuary C by Clearlight®

Individual panel sizes laying flat in inches

Panel	Length	Width	Height
Roof	66 ¼	66.¼	3
Floor	71 ½	71 ½	2 ½
Left Side	75 ½	38.¼	4
Right Side	75 ½	38.¼	4
Back Wall (Left)	75 ½	68.¼	4 ¾
Back Wall (Right)	75 ½	66 ¼	4 ¾

What gauge wire are our saunas?

15 amp saunas are 14 AWG

20 amp saunas are 12 AWG

Single phase / 3 wire: 2x live/ground - for 240v



Attention: Make sure sauna is assembled on a level surface

Additional Information

Recommended Clearance

4" All Around if enclosing

Glass Roof

L: 66 ¼" W: 66 ¼" H: 3'

Bench Weight Limit

Bench weight limit 350 lbs per person

Add On

- Can't have both upgrade heater and Red Light simultaneously.

Surface Requirements

Make sure sauna is placed on a level surface.

Add-Ons

If you purchase an upgrade heater or Red Light Therapy unit to place in your sauna, your electrical requirements change to the following required plug: **240V / 20AMP Electrical circuit required. NEMA 6-20p**

