

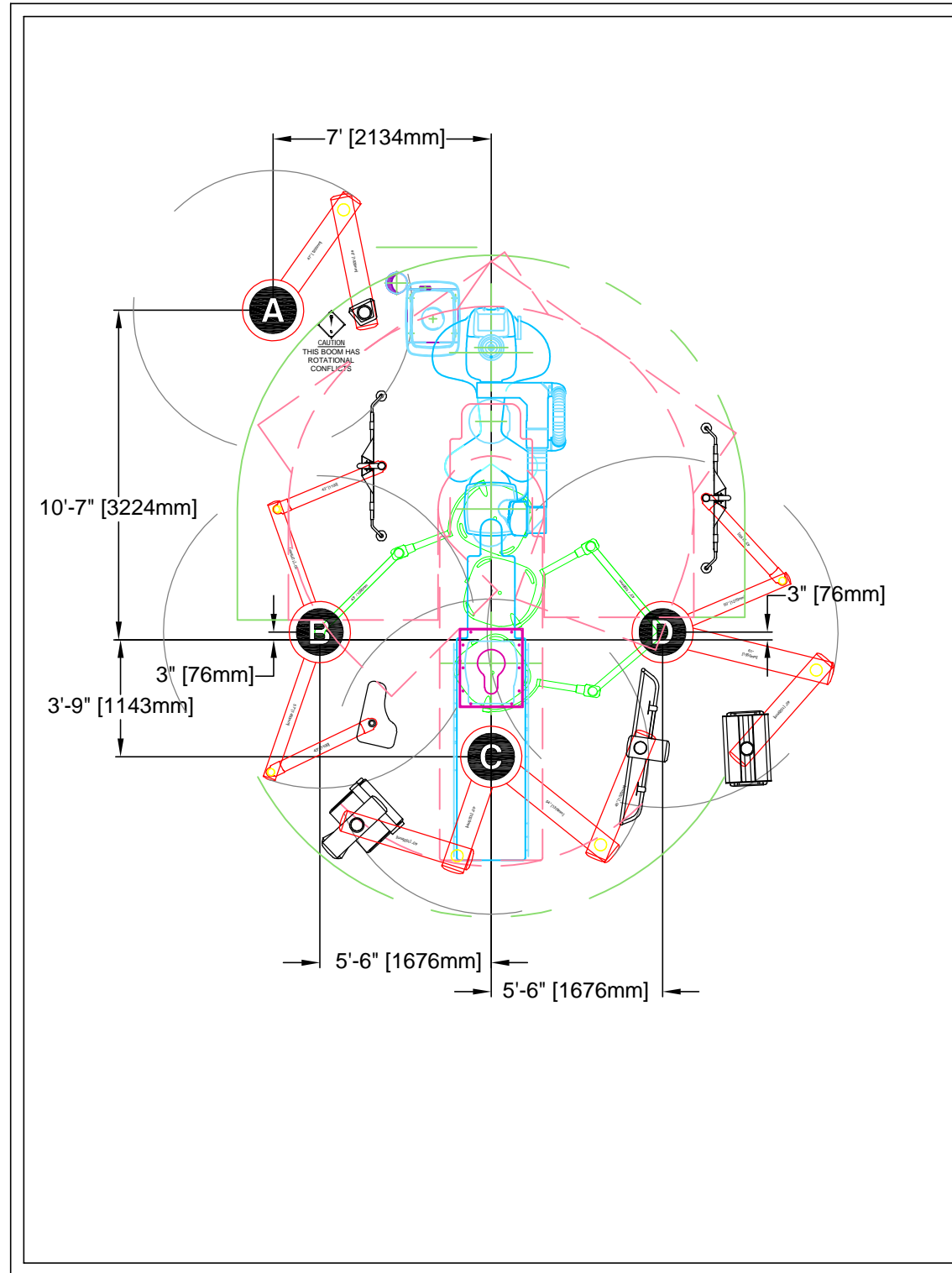


IN THE EVENT THAT FIXTURE LOCATIONS NEED TO CHANGE, PLEASE CHECK WITH SKYTRON ON THE REVISED LAYOUT LOCATION. FINAL CONSTRUCTION DOCUMENTS SHOULD BE PROVIDED BY THE ARCHITECT.



**\*GENERIC LAYOUT\***

EQUIPMENT SCHEDULE	
ID	DESCRIPTION
A	ANESTHESIA
B	MONITOR / RAD SHIELD W/ LIGHT
C	LARGE DISPLAY / EQUIPMENT
D	UTILITY / DUAL MONITORS W/ LIGHTS
* IF SKYVISION IS APPLICABLE REFER TO THE LAST PORTION OF BOOM PACKAGE*	

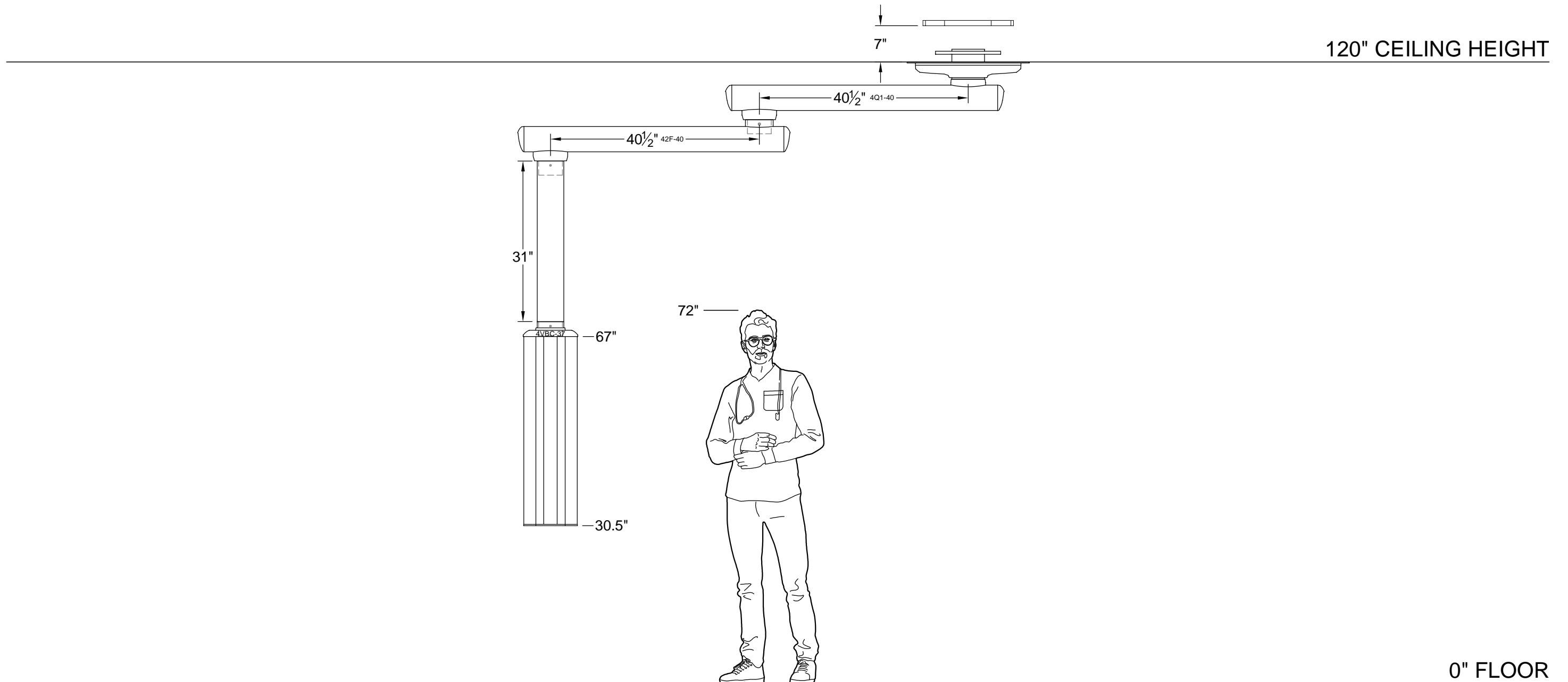


INITIAL: \_\_\_\_\_  
DATE: \_\_\_\_\_

PROJECT #: 21-000  
PRELIMINARY  
PLOT DATE: 10/14/2021

ROOM TYPE: GE DISCOVERY  
REVISION: 0  
DESCRIPTION: ROOM LAYOUT

HYBRID 2 - GE DISCOVERY IGS  
SHEET  
**00**



**HYBRID 2 - GE DISCOVERY IGS**

QTY: 1  
REV #: 0  
MODEL: F200 SERIES  
DESCRIPTION: ELEVATION DETAILS

REF #: C-75469

INITIAL: \_\_\_\_\_  
DATE: \_\_\_\_\_

**Max Fixture Weight:** 538 lbs.  
**Max Moment Load:** 2,581 ft. lbs.

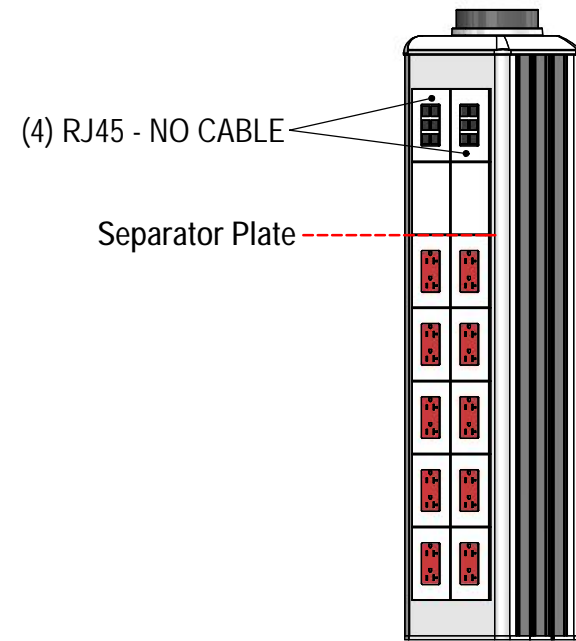
**Equipment Capacity:** 4VBC-37 - 240 lbs.

SHEET

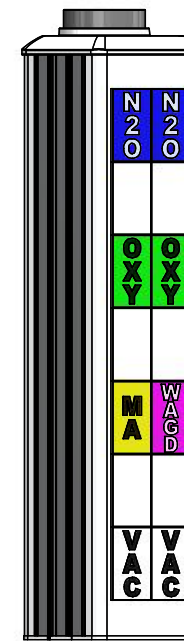
**A1**

Note:  
Communications can only  
be placed above the  
top-most separator plate

FRONT-LEFT VIEW



FRONT-RIGHT VIEW



DESCRIPTION	QTY.
OXYGEN	2
NITROUS OXIDE	2
MEDICAL AIR	1
WAGD	1
VACUUM	2

ELECTRICAL OUTLETS: (10) 125V, 20A DUPLEX - RED

GAS FACEPLATE STYLE: DISS

CARRIER DIMENSIONS: 37.75"H x 10.75"W x 8.25"D

GAS COLOR KEY:

CARBON DIOXIDE	MEDICAL AIR	OXYGEN
HELIOX	NITROGEN	VACUUM
INSTRUMENT AIR	NITROUS OXIDE	WAGD

INITIAL: \_\_\_\_\_  
DATE: \_\_\_\_\_

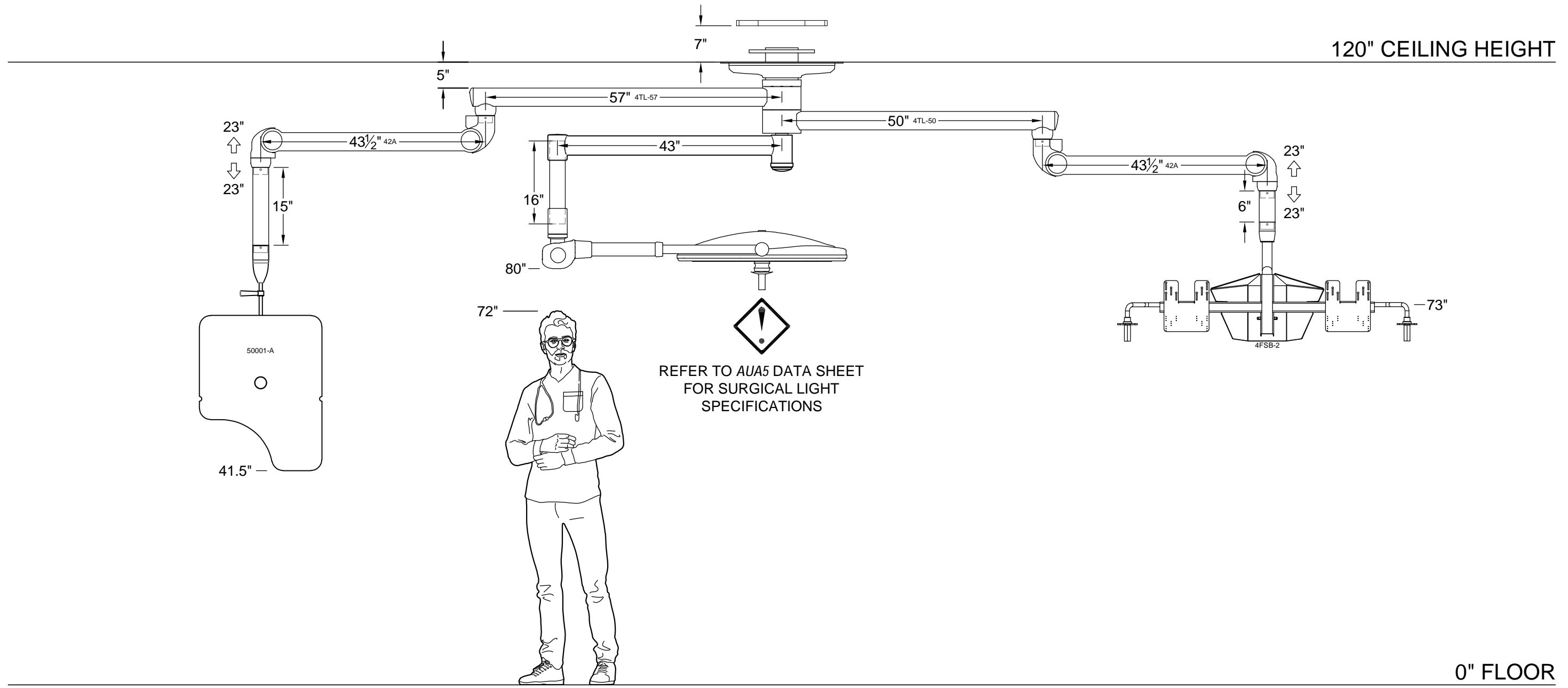
FOR A COMPLETE LIST OF ACCESSORIES  
REFER TO YOUR QUOTE

PROJECT #: 21-000  
PRELIMINARY  
PLOT DATE: 9/9/2021

HYBRID 2 - GE DISCOVERY IGS

QTY: 1  
REV #: 0  
REF #: C-72469  
MODEL: F200 SERIES  
DESCRIPTION: CARRIER DETAILS

SHEET  
A2



**HYBRID 2 - GE DISCOVERY IGS**

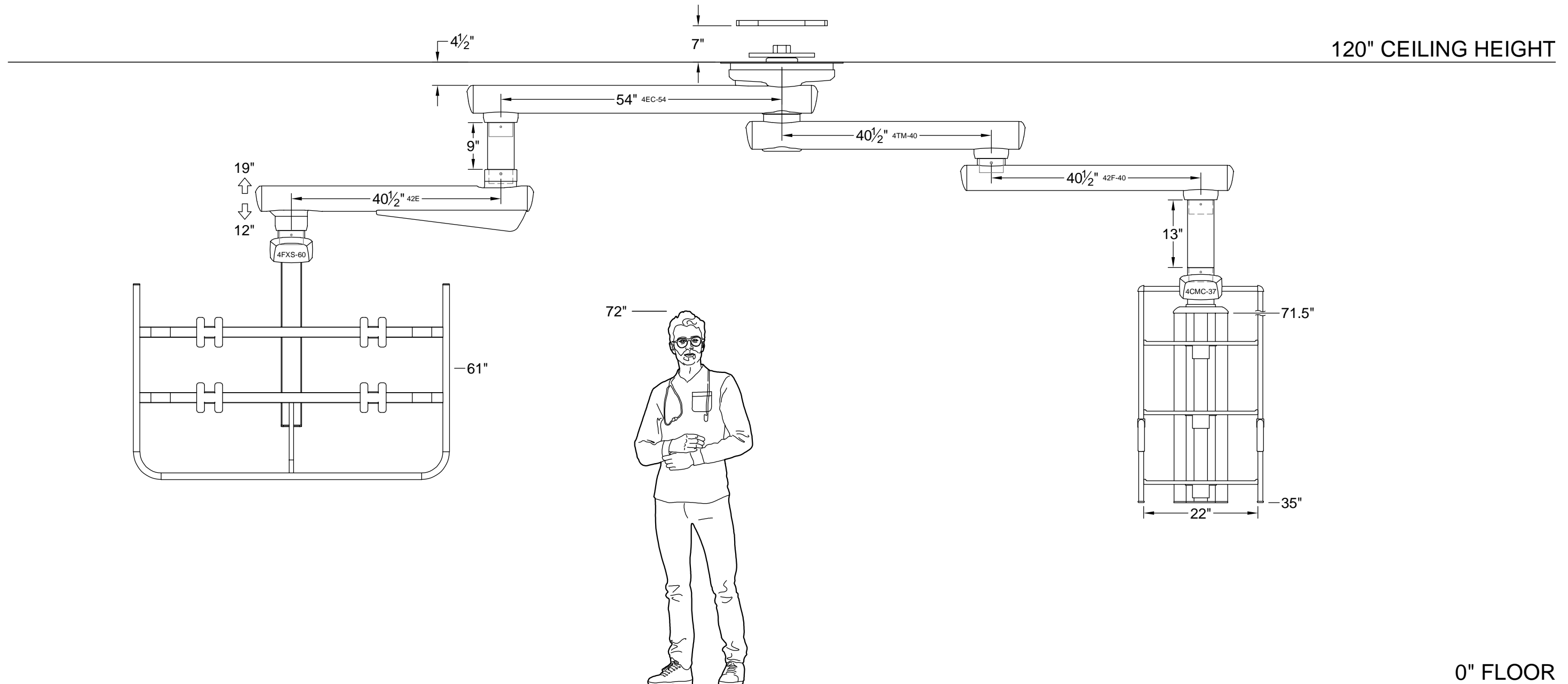
QTY: 1  
REV #: 0  
MODEL: F120 SERIES  
DESCRIPTION: ELEVATION DETAILS

REF #: C-75408

INITIAL: \_\_\_\_\_  
DATE: \_\_\_\_\_

**Max Fixture Weight:** 723 lbs.  
**Max Moment Load:** 3,953 ft. lbs.

**Equipment Capacity:** X-RAY 50001-A - 2 lbs.  
4FSB-2 - 31 lbs.



120" CEILING HEIGHT

0" FLOOR

**HYBRID 2 - GE DISCOVERY IGS**

QTY: 1  
REV #: 0  
MODEL: F340 SERIES  
DESCRIPTION: ELEVATION DETAILS

REF #: C-75410

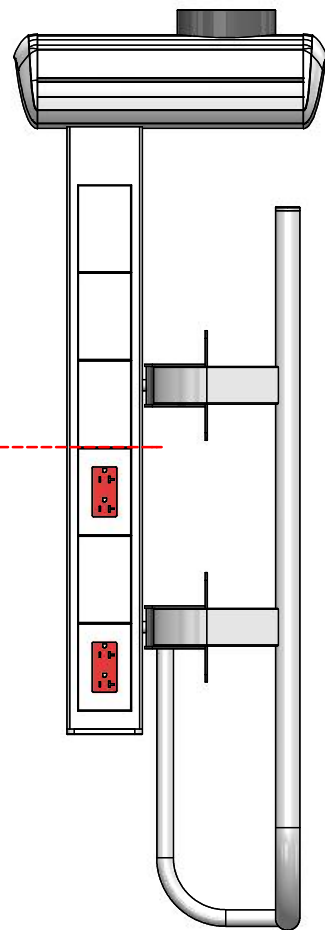
INITIAL: \_\_\_\_\_  
DATE: \_\_\_\_\_

**Max Fixture Weight:** 1,673 lbs.  
**Max Moment Load:** 8,829 ft. lbs.

**Equipment Capacity:** 4FXS-60 - 180 lbs.  
4CMC-49 - 256 lbs.

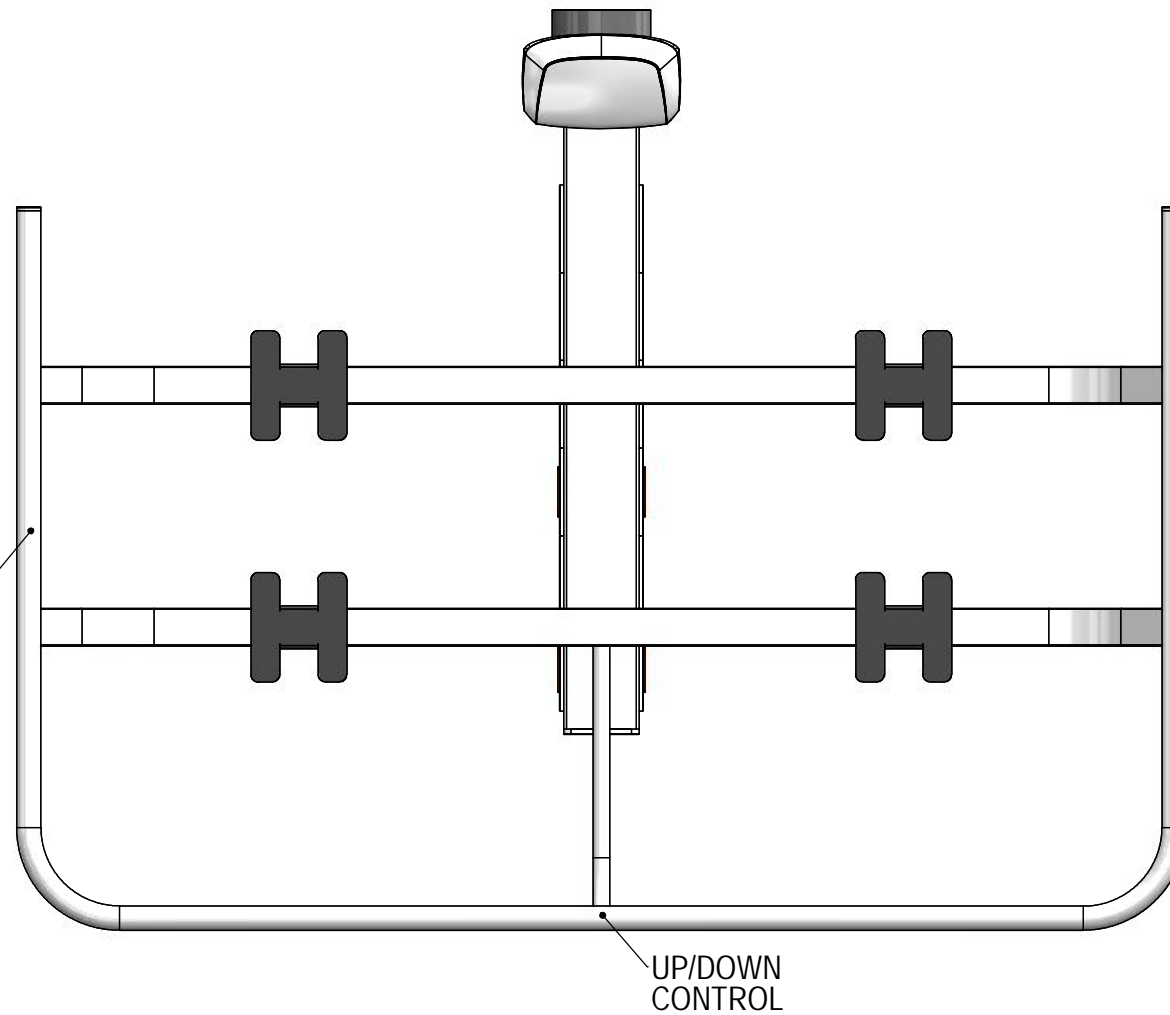
Note:  
Communications can only  
be placed above the  
separator plate

LEFT VIEW



Separator Plate

FRONT VIEW

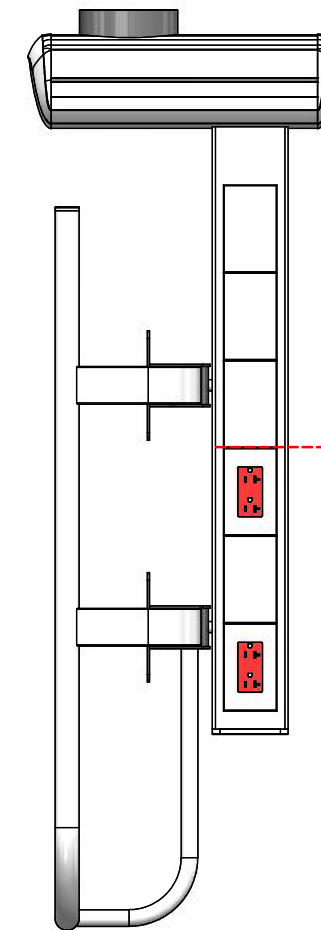


UP/DOWN  
CONTROL

UP/DOWN  
CONTROL

UP/DOWN  
CONTROL

RIGHT VIEW



Separator Plate

ELECTRICAL OUTLETS: (4) 125V, 20A DUPLEX - RED

CARRIER DIMENSIONS: 46.75"H x 61"W x 16.5"D

INITIAL: \_\_\_\_\_  
DATE: \_\_\_\_\_

FOR A COMPLETE LIST OF ACCESSORIES REFER TO YOUR QUOTE

PROJECT #: 21-000  
PRELIMINARY  
PLOT DATE: 9/9/2021

HYBRID 2 - GE DISCOVERY IGS

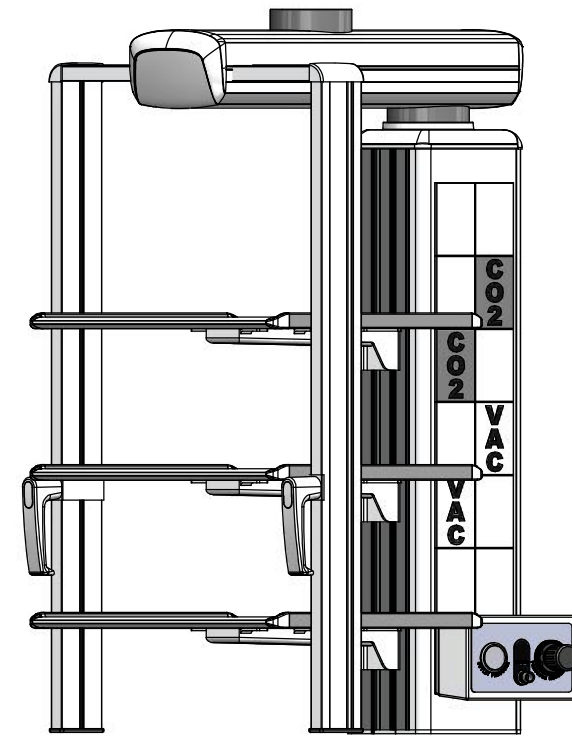
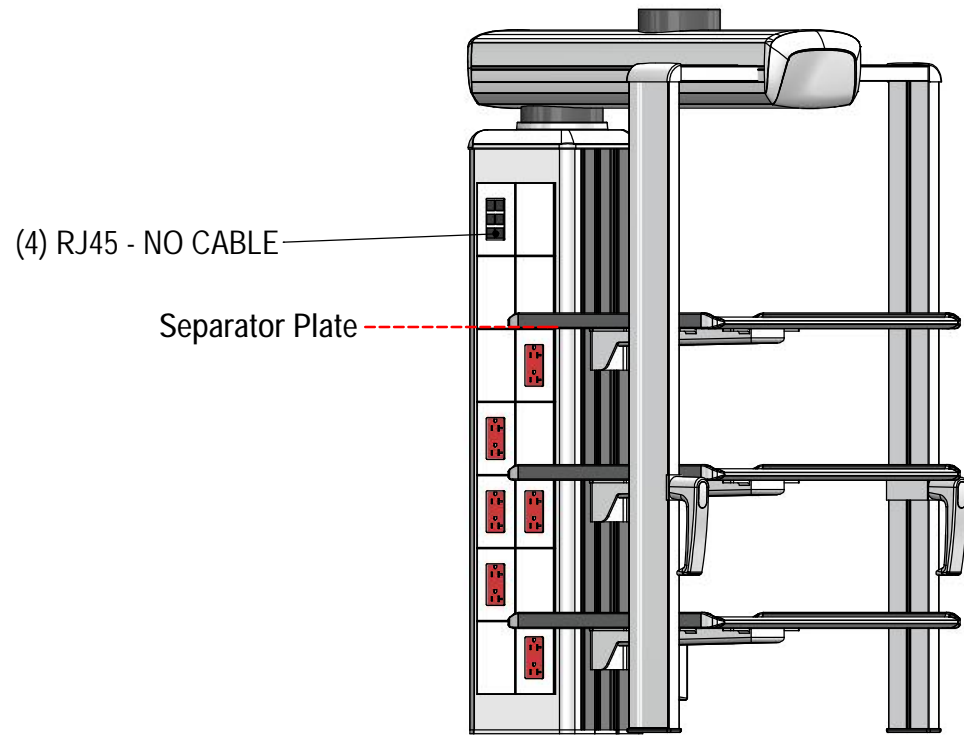
QTY: 1  
REV #: 0  
REF #: C-72410  
MODEL: F340 SERIES  
DESCRIPTION: CARRIER DETAILS

SHEET  
C2a

Note:  
Communications can only  
be placed above the  
top-most separator plate

FRONT-LEFT VIEW

FRONT-RIGHT VIEW



ELECTRICAL OUTLETS: (10) 125V, 20A DUPLEX - RED

GAS FACEPLATE STYLE: DISS

CARRIER DIMENSIONS: 44"H x 24"W x 28.75"D

GAS COLOR KEY:

CARBON DIOXIDE	MEDICAL AIR	OXYGEN
HELIOX	NITROGEN	VACUUM
INSTRUMENT AIR	NITROUS OXIDE	WAGD

DESCRIPTION	QTY.
CARBON DIOXIDE (DISS)	2
VACUUM	2
SINGLE NITROGEN SYSTEM	1

INITIAL: \_\_\_\_\_  
DATE: \_\_\_\_\_

FOR A COMPLETE LIST OF ACCESSORIES  
REFER TO YOUR QUOTE

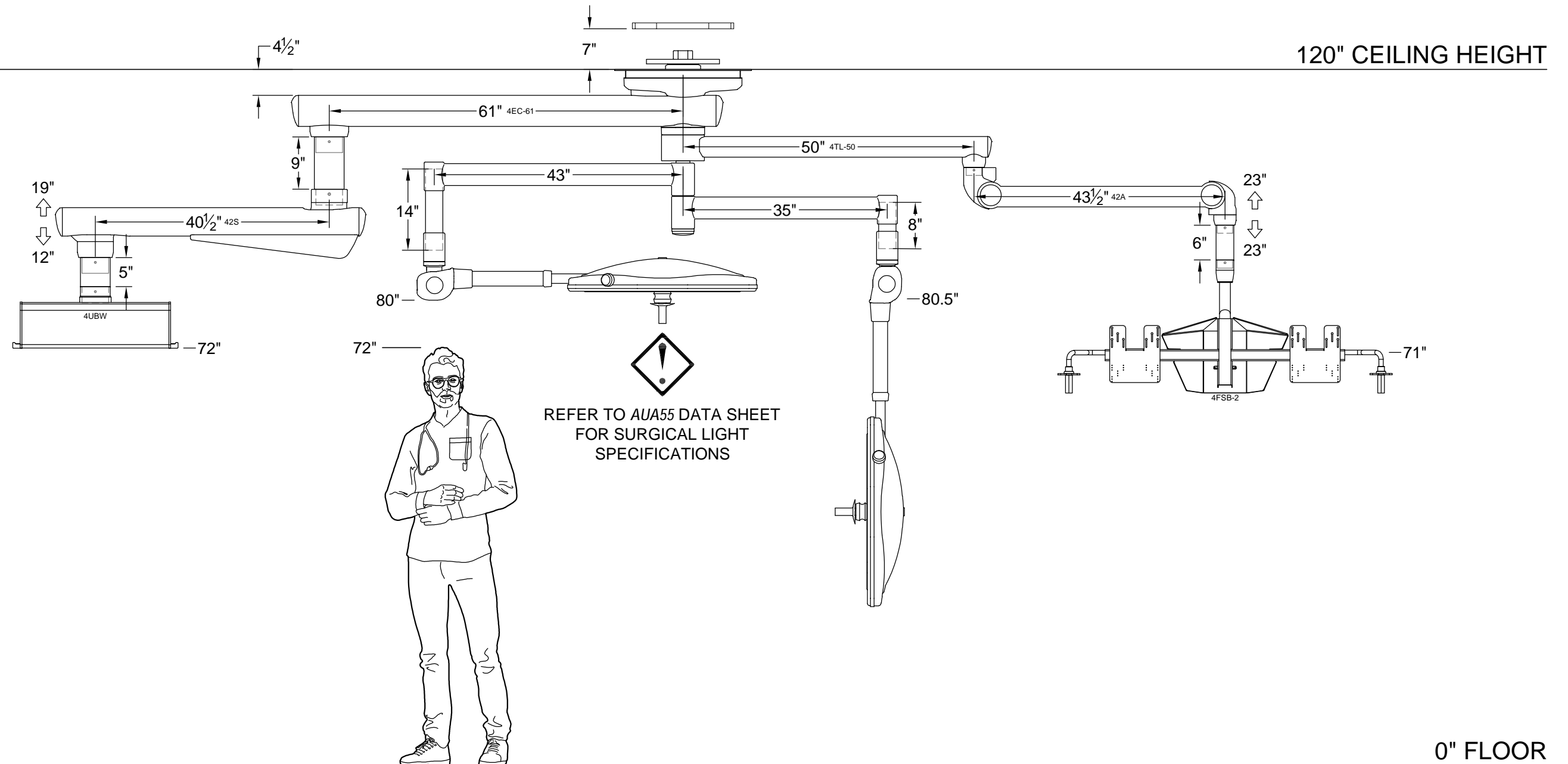
PROJECT #: 21-000  
PRELIMINARY  
PLOT DATE: 9/9/2021

HYBRID 2 - GE DISCOVERY IGS

REF #: C-72410  
MODEL: F340 SERIES  
DESCRIPTION: CARRIER DETAILS

QTY: 1  
REV #: 0

SHEET  
C2b



**HYBRID 2 - GE DISCOVERY IGS**

QTY: 1  
REV #: 0  
MODEL: F320 SERIES  
DESCRIPTION: ELEVATION DETAILS

REF #: C-75462

SHEET

**D1**

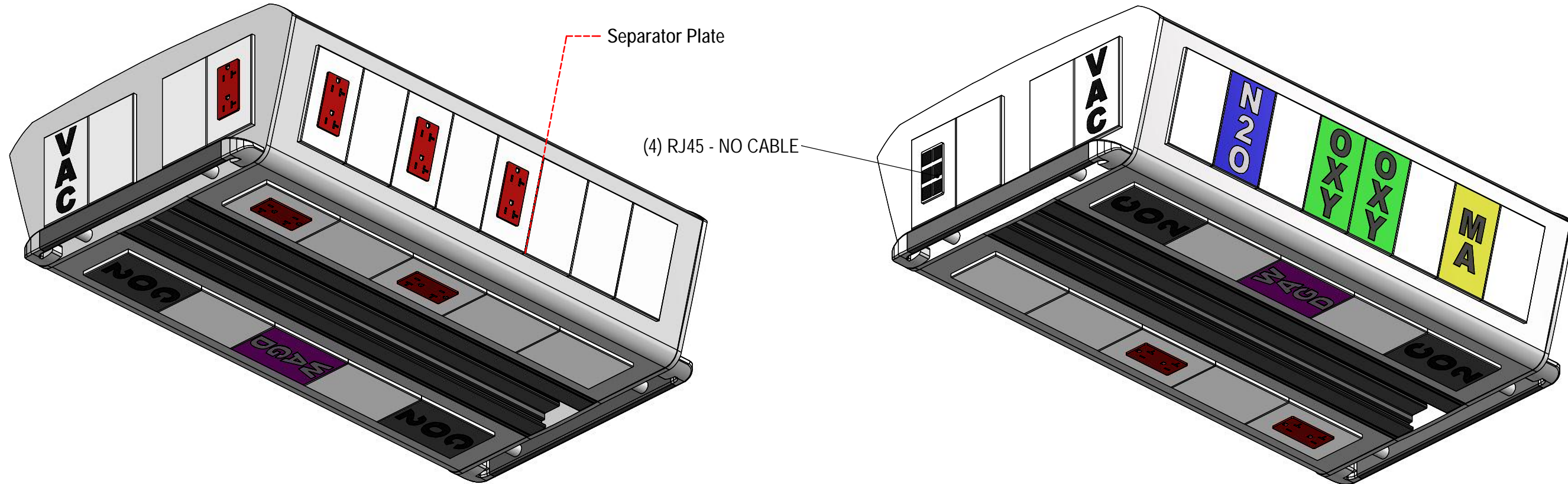
INITIAL: \_\_\_\_\_  
DATE: \_\_\_\_\_

**Max Fixture Weight:** 1,188 lbs.  
**Max Moment Load:** 6,922 ft. lbs.

**Equipment Capacity:** 4UBW - 60 lbs.  
4FSB-2 - 31 lbs.



Note:  
Communications can only  
be placed to the right of the  
right-most separator plate



DESCRIPTION	QTY.
NITROUS OXIDE	1
OXYGEN	2
MEDICAL AIR	1
CARBON DIOXIDE (DISS)	2
WAGD	1
VACUUM	2

ELECTRICAL OUTLETS: (6) 125V, 20A DUPLEX - RED

GAS FACEPLATE STYLE: DISS

CARRIER DIMENSIONS: 8"H x 28.5"W x 17.5"D

GAS COLOR KEY:

CARBON DIOXIDE	MEDICAL AIR	OXYGEN
HELIOX	NITROGEN	VACUUM
INSTRUMENT AIR	NITROUS OXIDE	WAGD

INITIAL: \_\_\_\_\_  
DATE: \_\_\_\_\_

FOR A COMPLETE LIST OF ACCESSORIES  
REFER TO YOUR QUOTE

PROJECT #: 21-000  
PRELIMINARY  
PLOT DATE: 9/9/2021

HYBRID 2 - GE DISCOVERY IGS

QTY: 1  
REV #: 0  
REF #: C-75462  
MODEL: F320 SERIES  
DESCRIPTION: CARRIER DETAILS

SHEET  
D2