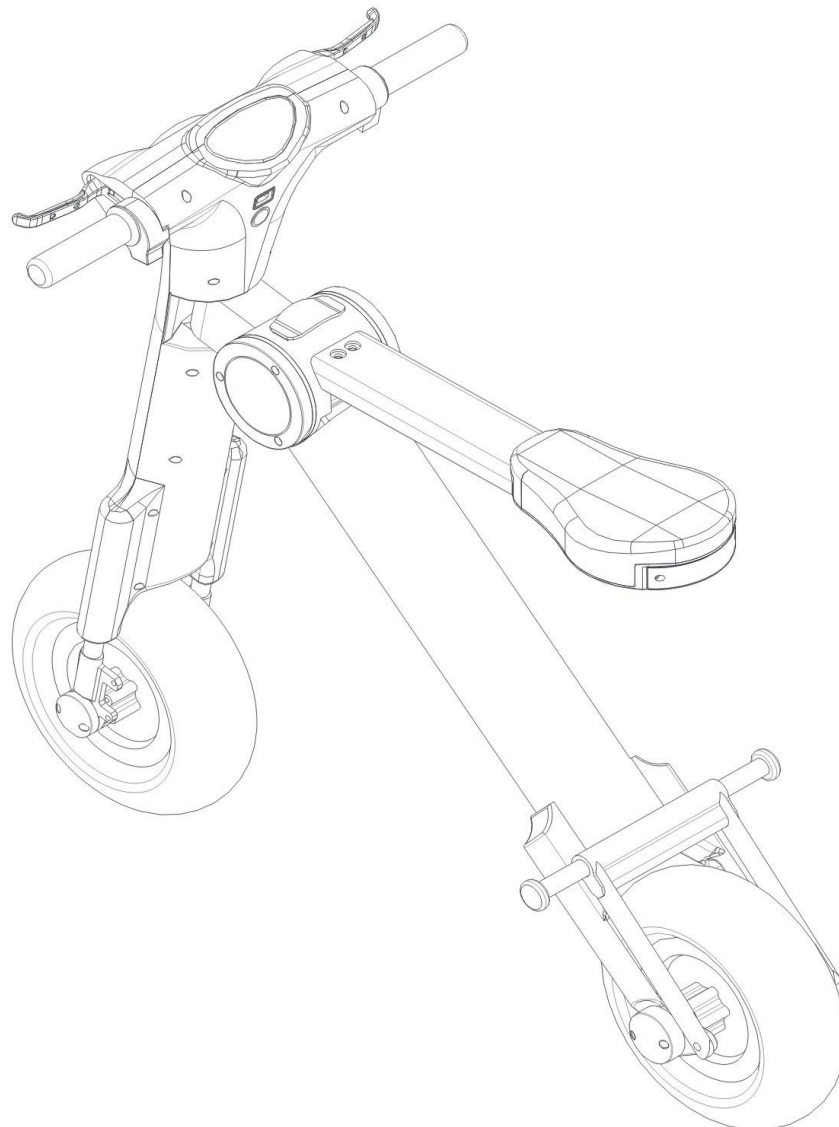


V&D ELECTRIC BIKES



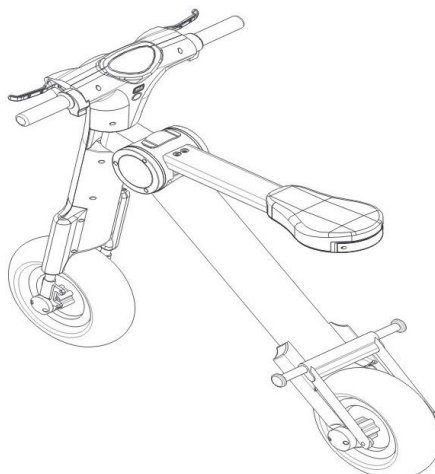
Go-Bike M1

User Manual



Open Package Inspection

Go-Bike M1

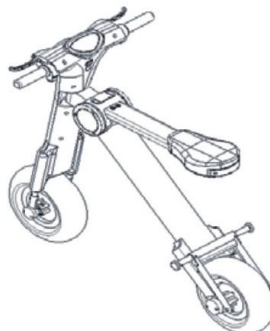


Go-Bike M1 Charger

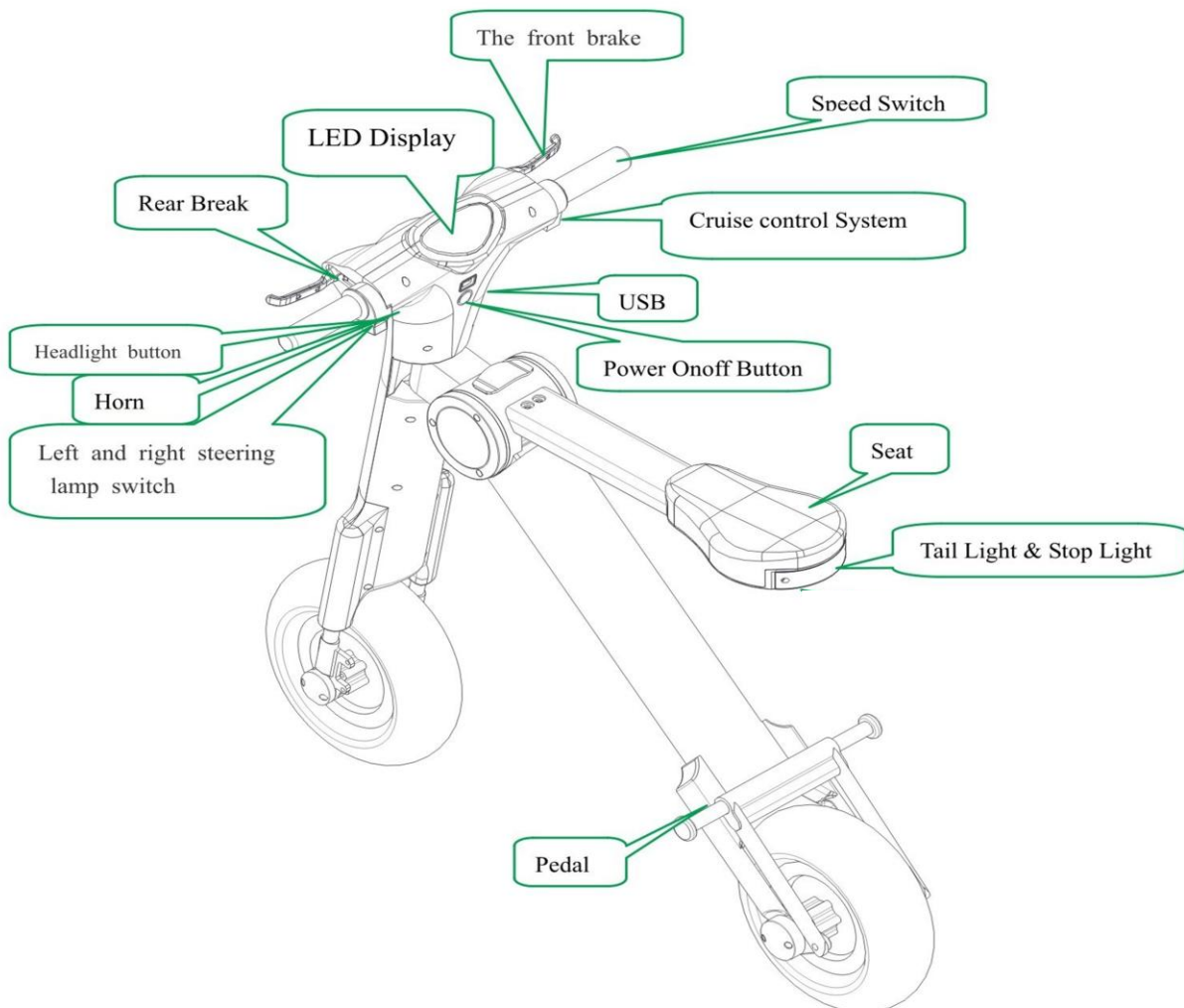
100-24VAC / 50 ~ 60Hz input

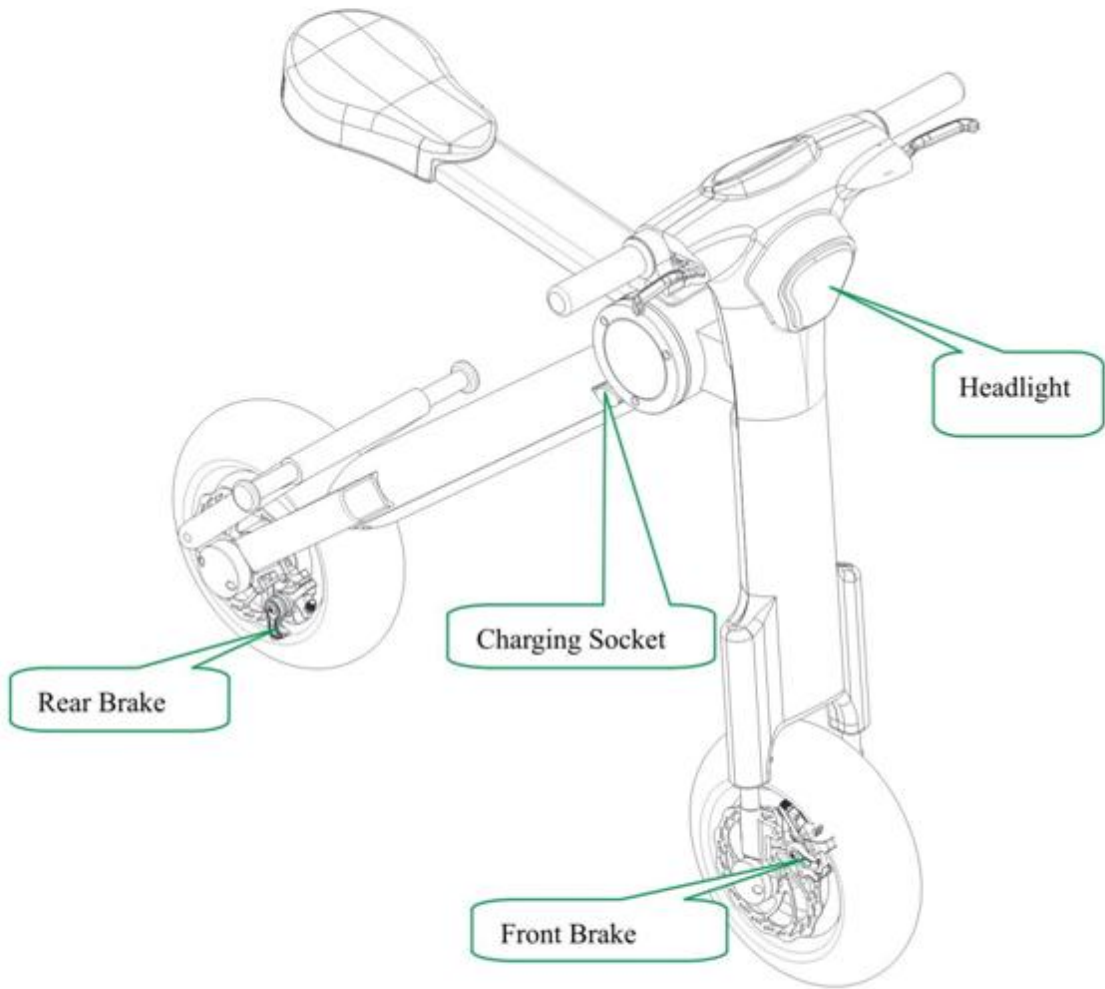


Go-Bike M1 User Manual

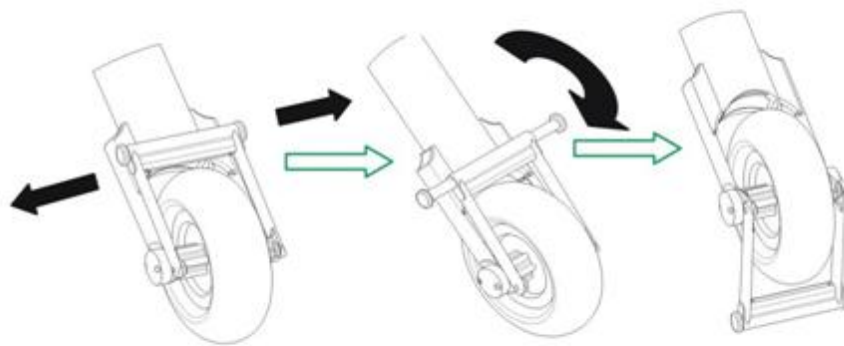


Structural Diagram of *Go-Bike M1*

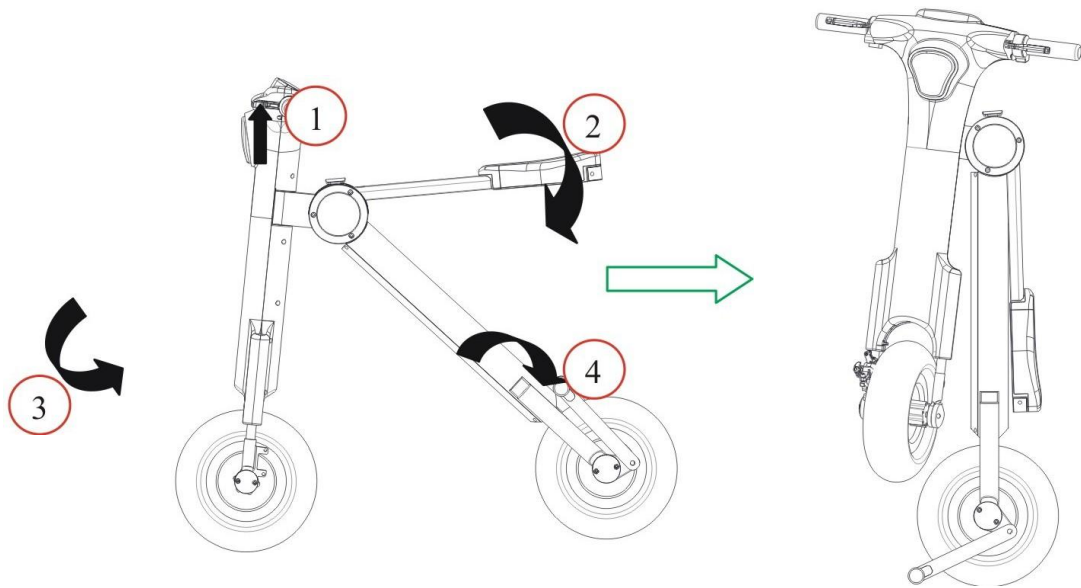




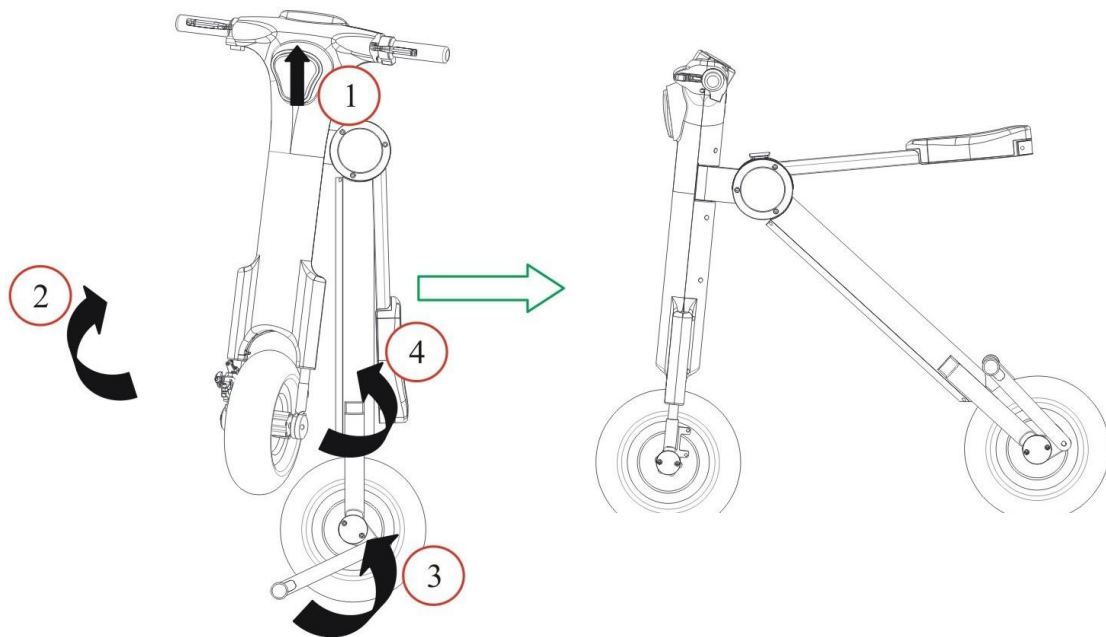
How to Fold the Pedal



How to Fold *Go-Bike M1*



How to Unfold *Go-Bike M1*



[!] Safety Instructions

Caution! If any injuries or losses are caused by rider's unfamiliar skills and/or noncompliance with riding instructions listed, our company is excluded from those responsibilities. Our company is only responsible for damages due to product failure.

The *Go-Bike* M1 has the following automatic protective functions: Speed limit protection based on rider's weight and battery capacity; power short circuit protection, etc. Pay attention. Although there are several automatic protective functions for our product, only riders obeying Safety Instruction and local regulations can be protected by these protective functions.

Please read and obey Safety Instruction carefully in this manual. Ride abiding by Safety Instruction and do not ride over local speed limits. Under no circumstance can the rider ride the *Go-Bike* M1 together with motor vehicles on motorways/highways. Here are some additional safe riding tips:

1. The following individuals below are forbidden to ride the *Go-Bike* M1:
 - 1.1 Children between 12 and 16 years of age are prohibited to ride without an adult's permission, guidance and supervision.
 - 1.2 Those who are under the influence of alcohol and/or drugs.
 - 1.3 Those who suffer from hypertension, cardiovascular disease or other high-risk diseases not suitable for sport activities.
2. Please wear protective gear such as a helmet, elbow and knee pads, etc.
3. Please have a clear understanding of local laws and regulations before riding this product. Do not ride on roads where electric bikes are forbidden by local laws.
4. Please avoid riding the *Go-Bike* M1 in the dark, at night or in circumstances with low visibility. Please use optional headlight and attachment accessory, if necessary.
5. Do not ride the *Go-Bike* M1 on snowy or rainy days or on muddy, soft or icy surfaces.

[!] Warning

1. Do not ride the *Go-Bike* M1 without wearing protective gear.
2. Do not skid when riding the *Go-Bike* M1.
3. Avoid obstacles when riding the *Go-Bike* M1.
4. Avoid riding the *Go-Bike* M1 on slick surfaces.

[!] Forbidden

1. Do not ride the *Go-Bike* M1 on motorways, highways or other roadways stipulated by any local laws and regulations.
2. Do not ride the *Go-Bike* M1 above the speed limits allowed by any local laws and regulations.
3. Do not soak the *Go-Bike* M1 in the water.



Specification

Model	<i>Go-Bike M1</i>		
Battery Capacity	48V/11AH		
Motor Power	250W	350W	500W
Range at full charge	25 mi	27 mi	30 mi
Max Speed	18-20 mph/29-32 kmh		
Type of the Motor	Brushless		
Charging time	3-5 hours		
Maximum Load	285 lbs/129 kg		
Total Weight	44 lbs/20 kg		
Wheel Size	13"		
Size Unfolded (approximate)	45"x22"x40" 114x56x102 cm		
Size Folded (approximate)	46"x12"x25" 117x30x64 cm		
Front and Rear Braking System	Disc Brake		
Body	Aluminum Profile		
Head Lamp	LED		
Color	Black/White/Gray (Standard)		

- * The experimental data above is for reference only. Variance may exist due to different load capacities, environment, temperature, road condition, speed, etc.
- * Utilize intelligent control algorithm to limit speed. Max speed may differ based on the battery, battery capacity, remaining battery charge and the varying weight of riders.
- * Products will be updated constantly. The product you receive may be slightly different from the pictures shown on website.



Warranty Terms and Conditions

(Applied to markets outside of mainland China)

Warranty Terms

The outlined warranty terms and conditions in this document apply to the general global market. Terms and conditions that are in conflict with local laws and regulations will be superseded by those regulations. In the absence of clear laws or regulations as it relates to these warranty terms and conditions, then the following conditions will dictate your product's warranty:

All dealers and retailers must be authorized by our company to sell our products; otherwise, those products sold will not be covered by this warranty. It is the customer's responsibility to verify that the local dealer or retailer is authorized by our company prior to purchase.

- 1.1 The frame is warrantied against manufacturer's defects for a period of three (3) years from date of purchase.
- 1.2 Other parts are warrantied against manufacturer's defects for a period of one (1) year from date of purchase, with the exception of easily damaged parts, such as tires.
- 1.3 The warranty period will be reset if the product(s) is replaced due to manufacturer's defect.
- 1.4 The authorized local dealer or retailer will have detailed warranty information as it may relate to specific local laws and regulations. Please contact your authorized local dealer or retailer, V&D Electric Bikes for details by visiting www.VandDElectricBikes.com, emailing VandDElectricBikes@gmail.com or by calling (877) 245-2494.

Non-warranty Terms

Subject to local laws and regulations, conditions exist that will exclude any warranty coverage.

These conditions include, but are not limited to the following:

- 2.1 Products purchased from a non-authorized dealer or retailer, or purchasing from any dealers or retailers that are distributing the products outside their authorized market.
- 2.2 Damage to the product from misuse and/or neglect, or from not adhering to the instructions in the User Manual.
- 2.3 Improper or invalid documentation, including but not limited to lack of warranty label, original invoice, or discrepancies on the invoice.
- 2.4 The product is beyond warranty period.
- 2.5 Damages caused by exceeding the maximum weight load, attempting tricks or stunts such as running into obstacles (curbs, walls, etc.), or submerging the *Go-Bike M1* into water, etc.
- 2.6 Damages caused from improper packing or mishandling during shipment for warranty service.
- 2.7 Damages or breakage not stemming from a manufacturer's defect.

Warranty Maintenance Process

- 3.1 Please contact your authorized local dealer or retailer to arrange for maintenance service.
- 3.2 Products beyond the warranty period will be eligible for fee-based repair. Please contact your authorized local dealer or retailer, V&D Electric Bikes for details by visiting www.VandDElectricBikes.com, emailing VandDElectricBikes@gmail.com or by calling (877) 245-2494.