

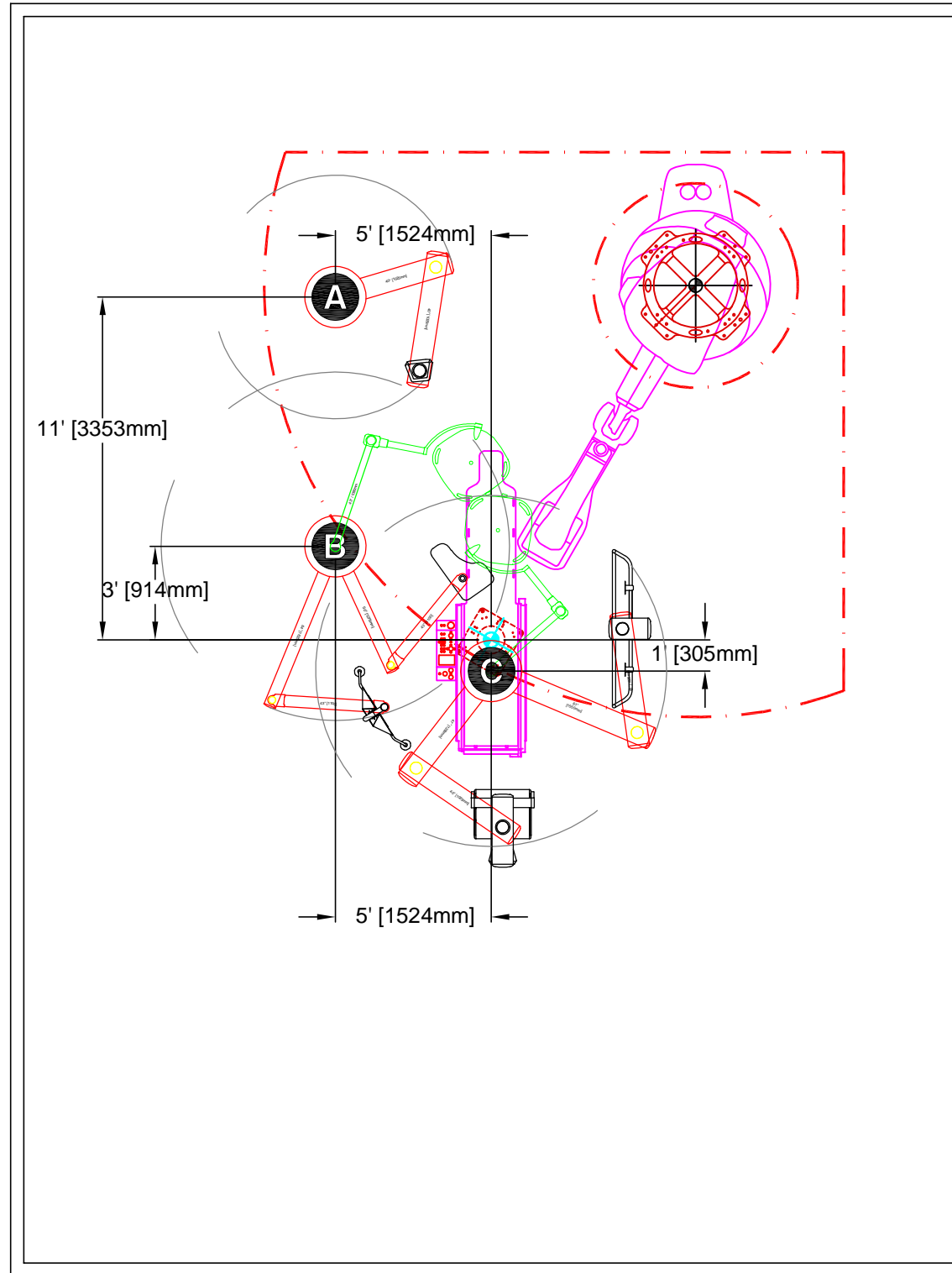


IN THE EVENT THAT FIXTURE LOCATIONS NEED TO CHANGE, PLEASE CHECK WITH SKYTRON ON THE REVISED LAYOUT LOCATION. FINAL CONSTRUCTION DOCUMENTS SHOULD BE PROVIDED BY THE ARCHITECT.



GENERIC LAYOUT

EQUIPMENT SCHEDULE	
ID	DESCRIPTION
A	ANESTHESIA
B	MONITOR / RAD SHIELD W/ LIGHT
C	LARGE DISPLAY / EQUIPMENT W/ LIGHT
* IF SKYVISION IS APPLICABLE REFER TO THE LAST PORTION OF BOOM PACKAGE*	



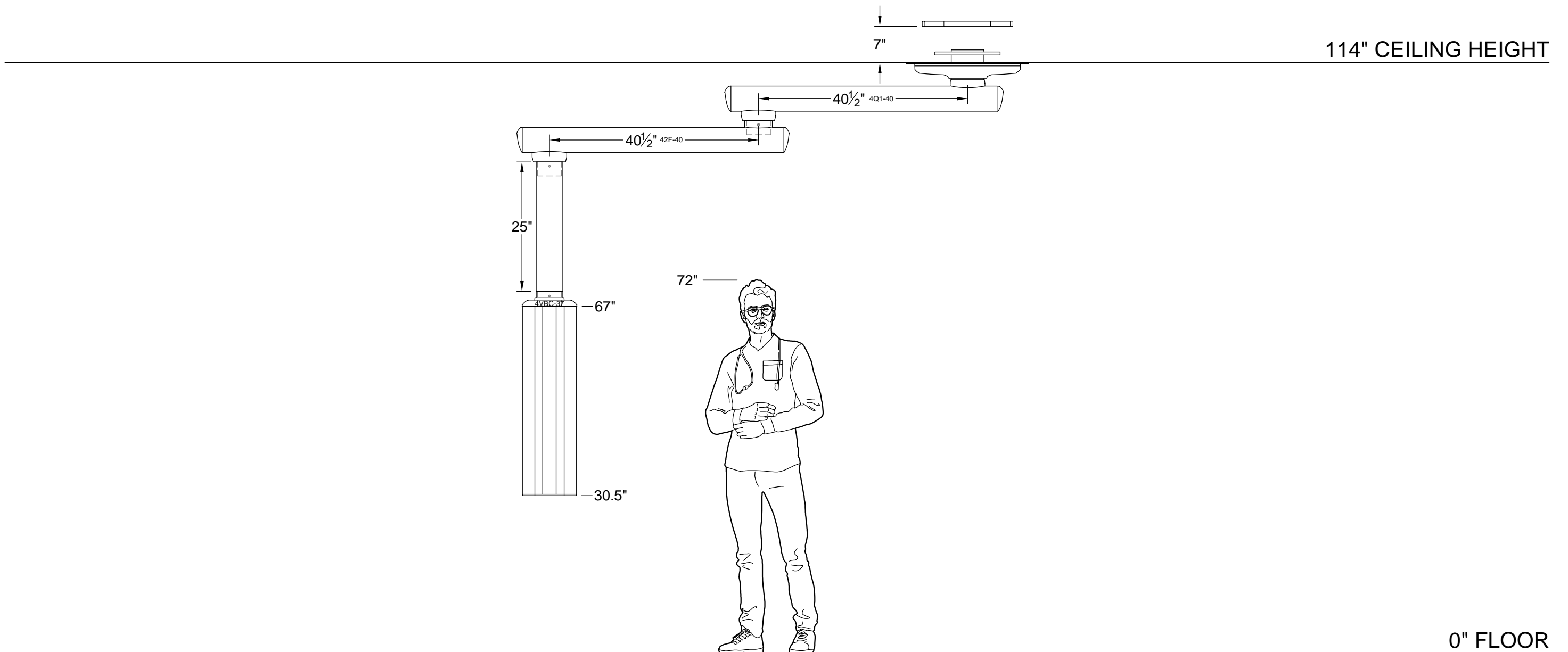
INITIAL: _____
DATE: _____

PROJECT #: 21-000
PRELIMINARY
PLOT DATE: 9/9/2021

HYBRID 1 - SIEMENS PHENO

ROOM TYPE: SIEMENS PHENO
REV #: 0
DESCRIPTION: ROOM LAYOUT

SHEET
00



HYBRID 1 - SIEMENS PHENO

QTY: 1
REV #: 0
MODEL: F200 SERIES
DESCRIPTION: ELEVATION DETAILS

REF #: C-72058

INITIAL: _____
DATE: _____

Max Fixture Weight: 538 lbs.
Max Moment Load: 2,581 ft. lbs.

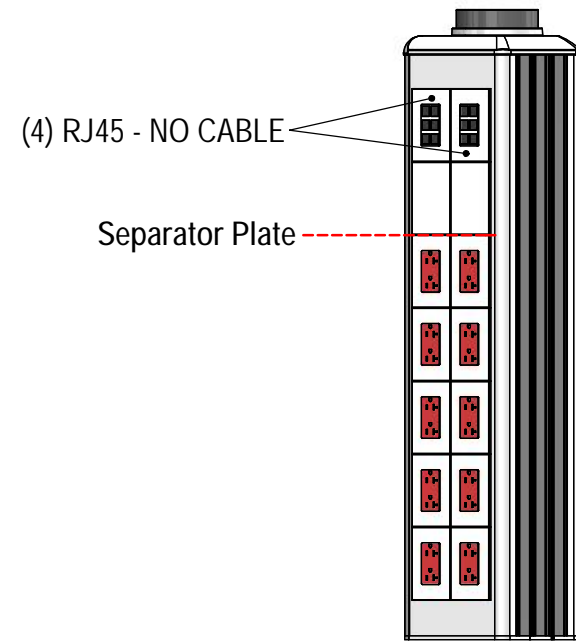
Equipment Capacity: 4VBC-37 - 244 lbs.

SHEET

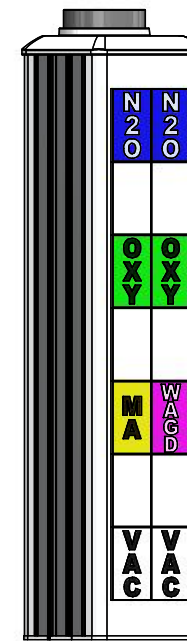
A1

Note:
Communications can only
be placed above the
top-most separator plate

FRONT-LEFT VIEW



FRONT-RIGHT VIEW



DESCRIPTION	QTY.
OXYGEN	2
NITROUS OXIDE	2
MEDICAL AIR	1
WAGD	1
VACUUM	2

ELECTRICAL OUTLETS: (10) 125V, 20A DUPLEX - RED

GAS FACEPLATE STYLE: DISS

CARRIER DIMENSIONS: 37.75"H x 10.75"W x 8.25"D

GAS COLOR KEY:

CARBON DIOXIDE	MEDICAL AIR	OXYGEN
HELIOX	NITROGEN	VACUUM
INSTRUMENT AIR	NITROUS OXIDE	WAGD

INITIAL: _____
DATE: _____

FOR A COMPLETE LIST OF ACCESSORIES
REFER TO YOUR QUOTE

PROJECT #: 21-000
PRELIMINARY
PLOT DATE: 9/9/2021

HYBRID 1 - SIEMENS PHENO

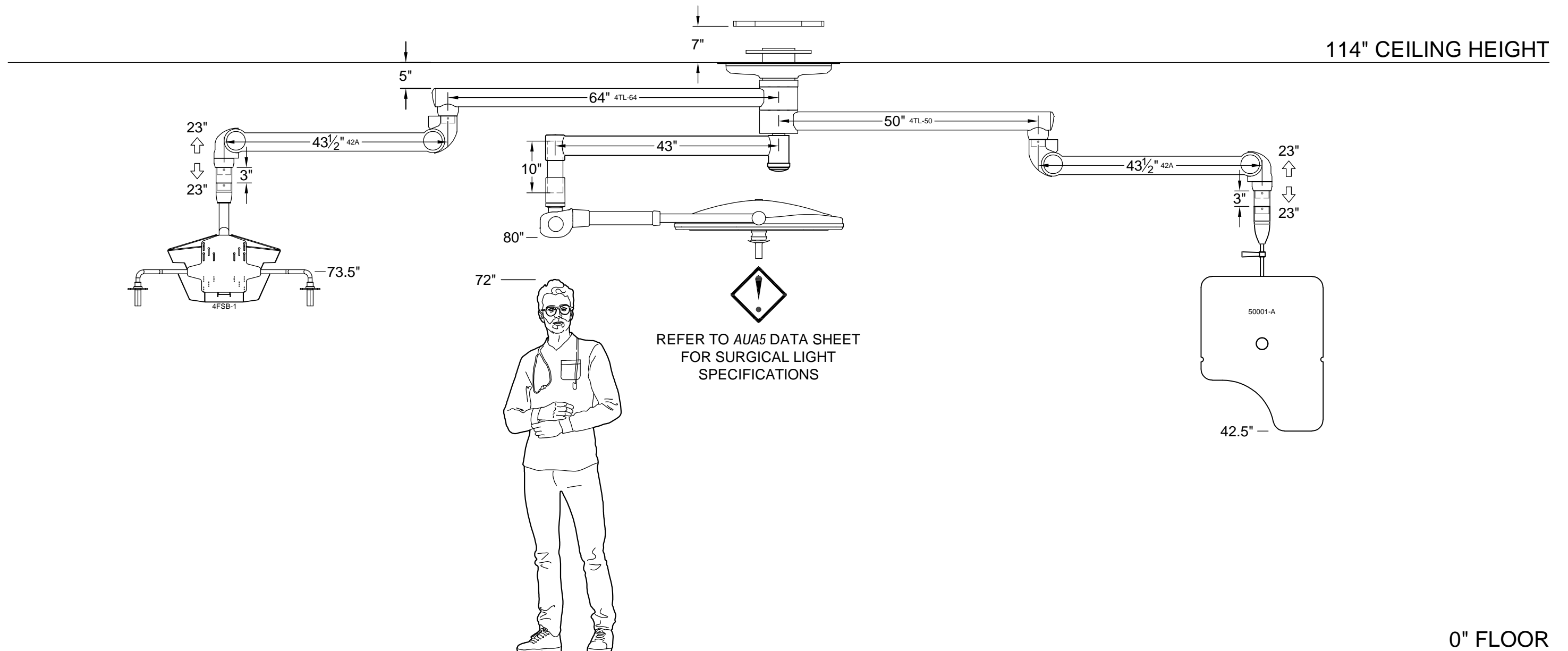
QTY: 1
REV #: 0
REF #: C-72058
MODEL: F200 SERIES
DESCRIPTION: CARRIER DETAILS

SHEET
A2

HYBRID 1 - SIEMENS PHENO

QTY: 1
REV #: 0
MODEL: F120 SERIES
DESCRIPTION: ELEVATION DETAILS

REF #: C-72042
SHEET
B1

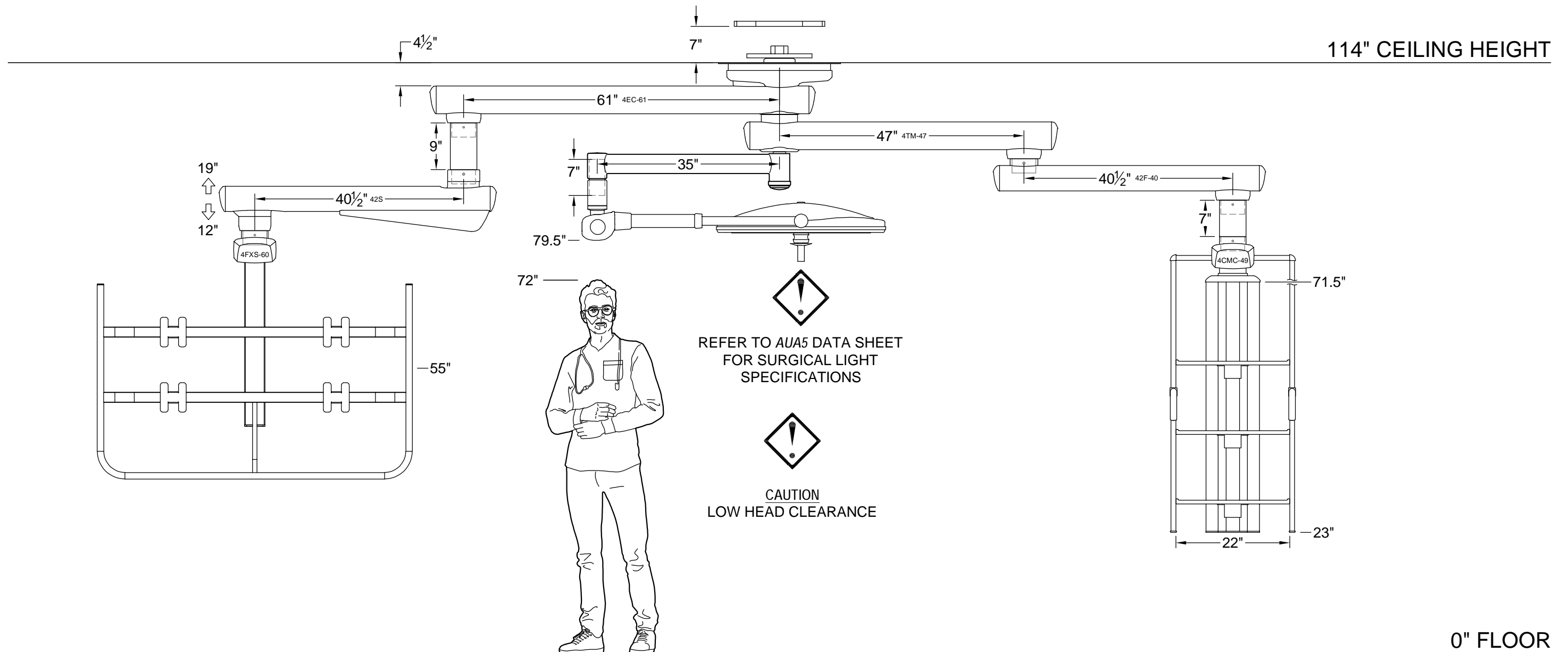


INITIAL: _____
DATE: _____

Max Fixture Weight: 723 lbs.
Max Moment Load: 3,953 ft. lbs.

Equipment Capacity: 4FSB-1 - 40 lbs.
X-RAY 50001-A - 5 lbs.

HYBRID 1 - SIEMENS PHENO



INITIAL: _____
DATE: _____

Max Fixture Weight: 1,673 lbs.
Max Moment Load: 8,829 ft. lbs.

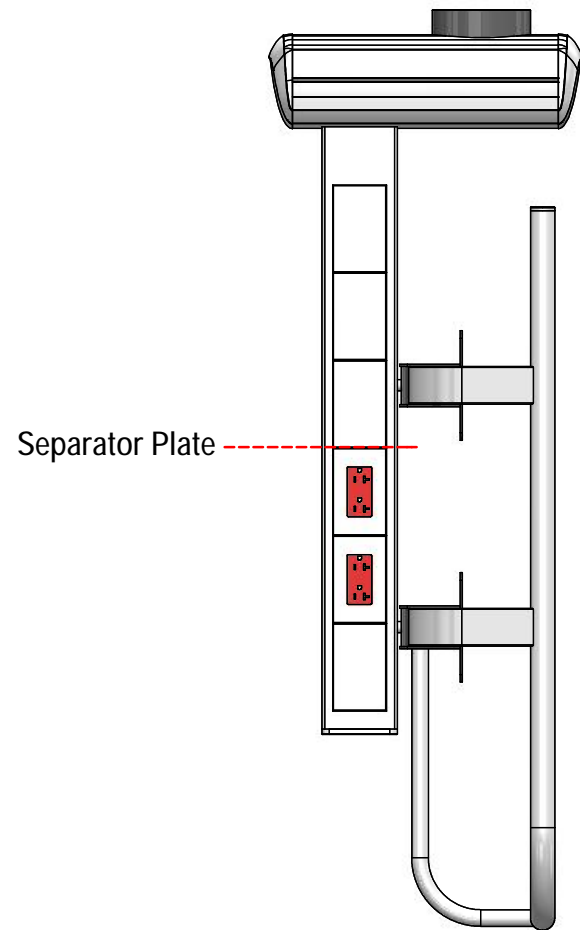
Equipment Capacity: 4FXS-60 - 159 lbs.
4CMC-49 - 216 lbs.

QTY: 1
REV #: 0
MODEL: F340 SERIES
DESCRIPTION: ELEVATION DETAILS

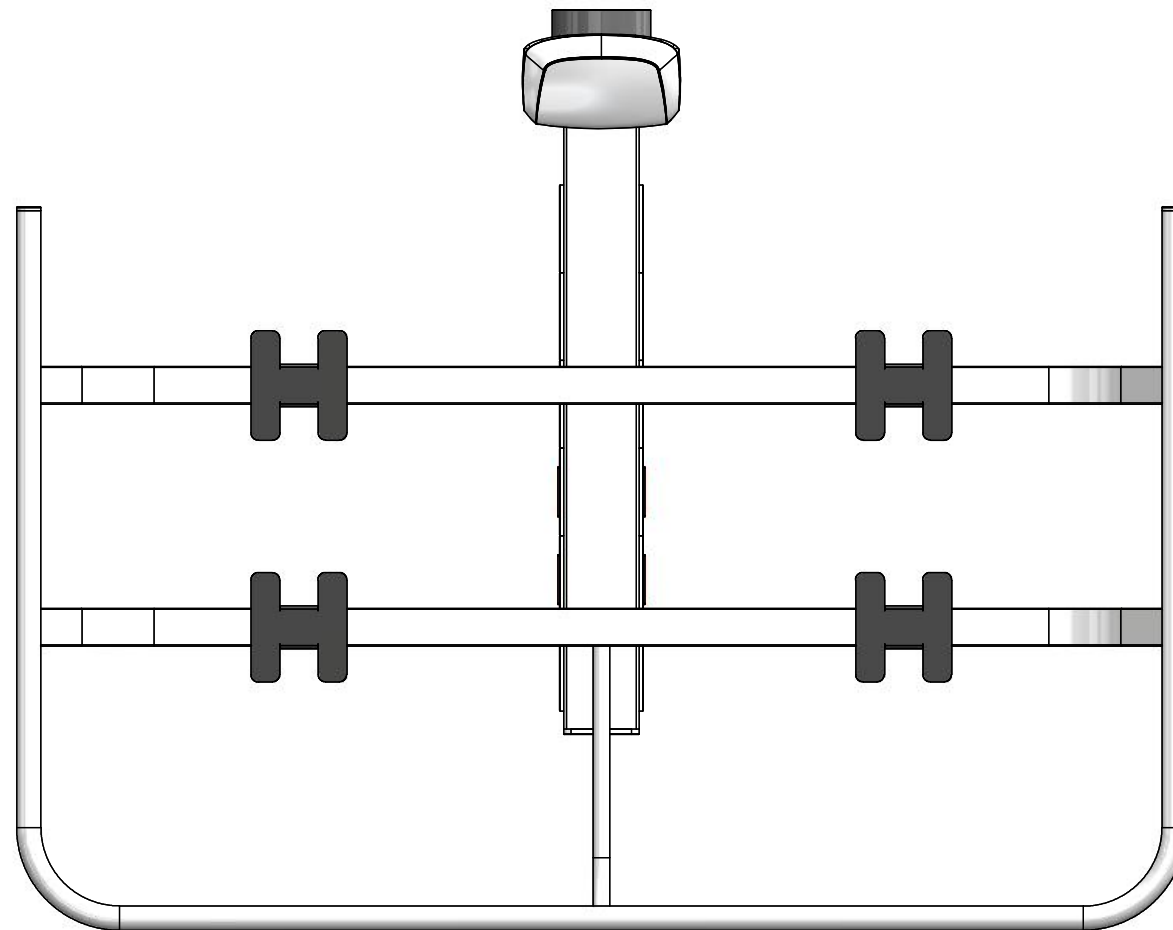
REF #: C-72047

Note:
Communications can only
be placed above the
separator plate

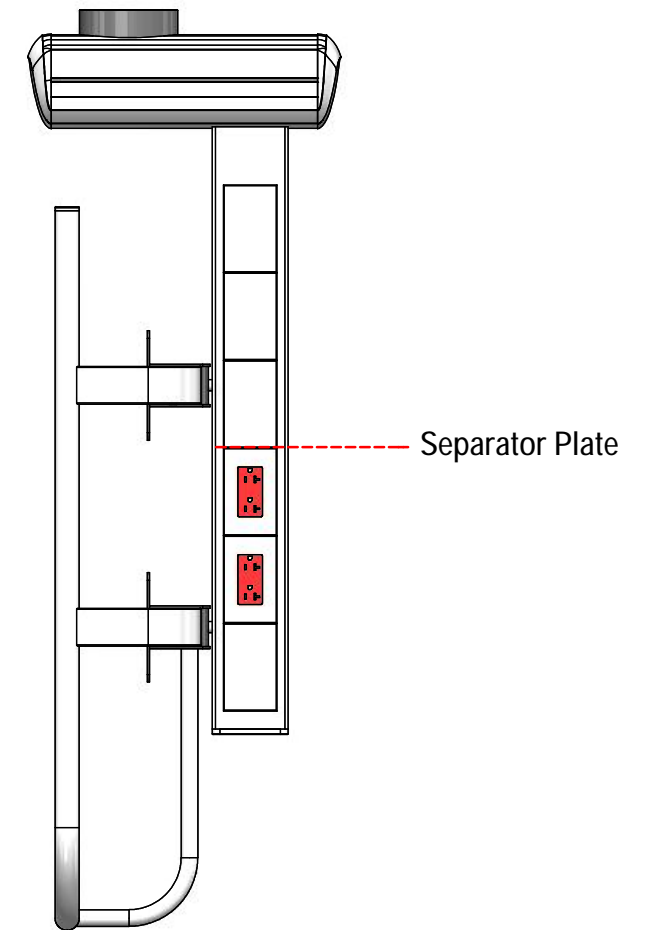
LEFT VIEW



FRONT VIEW



RIGHT VIEW



ELECTRICAL OUTLETS: (4) 125V, 20A DUPLEX - RED

CARRIER DIMENSIONS: 46.75"H x 61"W x 16.5"D

INITIAL: _____
DATE: _____

FOR A COMPLETE LIST OF ACCESSORIES REFER TO YOUR QUOTE

PROJECT #: 21-000
PRELIMINARY
PLOT DATE: 9/9/2021

HYBRID 1 - SIEMENS PHENO

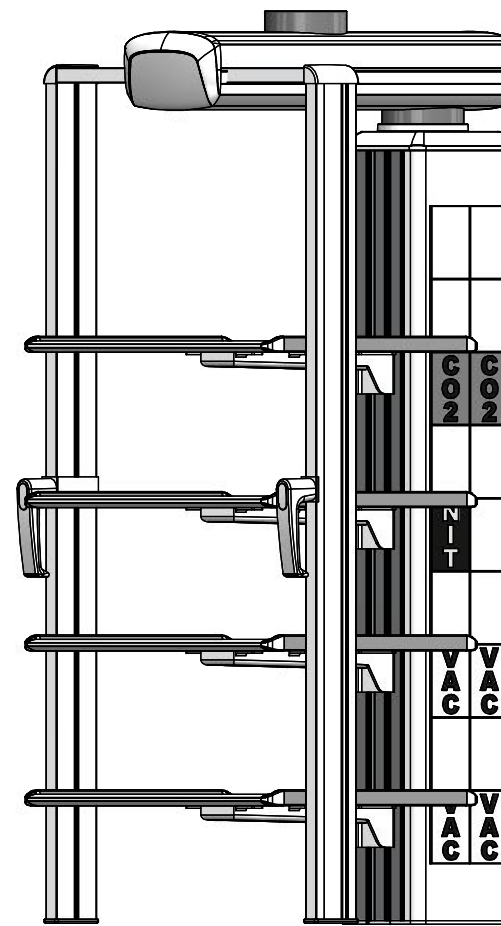
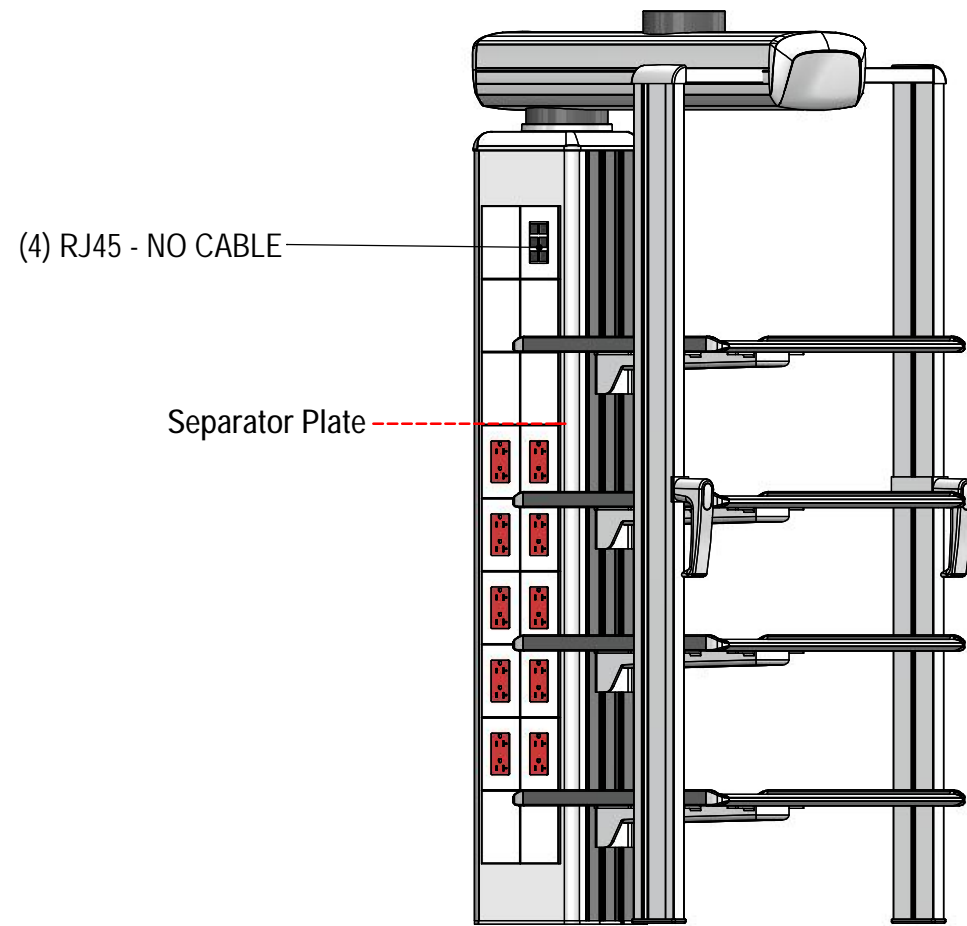
QTY: 1
REV #: 0
REF #: C-72047
MODEL: F340 SERIES
DESCRIPTION: CARRIER DETAILS

SHEET
C2a

Note:
Communications can only
be placed above the
top-most separator plate

FRONT-LEFT VIEW

FRONT-RIGHT VIEW



ELECTRICAL OUTLETS: (10) 125V, 20A DUPLEX - RED

GAS FACEPLATE STYLE: DISS

CARRIER DIMENSIONS: 56"H x 24"W x 28.75"D

GAS COLOR KEY:

CARBON DIOXIDE	MEDICAL AIR	OXYGEN
HELIOX	NITROGEN	VACUUM
INSTRUMENT AIR	NITROUS OXIDE	WAGD

DESCRIPTION	QTY.
CARBON DIOXIDE (DISS)	2
VACUUM	4
NITROGEN (DISS)	1

INITIAL: _____
DATE: _____

FOR A COMPLETE LIST OF ACCESSORIES
REFER TO YOUR QUOTE

PROJECT #: 21-000
PRELIMINARY
PLOT DATE: 9/9/2021

HYBRID 1 - SIEMENS PHENO

QTY: 1
REV #: 0
REF #: C-72047
MODEL: F340 SERIES
DESCRIPTION: CARRIER DETAILS

SHEET
C2b