



**DARELO™**

# **LED Solar Street Light**



1800LM/3600LM

4800LM/6400LM

10200LM/13600LM

18000LM/21000LM



1800LM/3600LM



4800LM/6400LM



10200LM/13600LM



18000LM/21000LM



### LED Solar Street light

Stand-alone product: no electricity bill, no grid connection. Up to 30% fewer poles compared to other solar street lights.



### All-in-one Solution

Plug & play for easy installation in a few minutes. Completely autonomous solution, easy to move at a later date (e.g. construction, natural disasters, public events).



### Versatile And Powerful Lighting

Lumens output of 1800 to 21000. Complies with street lighting standards.



### Motion Sensor Option

Increases light intensity automatically when movement is detected to ensure security and energy conservation.



### Longer Lifespan

Innovative high heat resistance military grade Lifepo4 battery, advances natural cooling & intelligent lighting management.

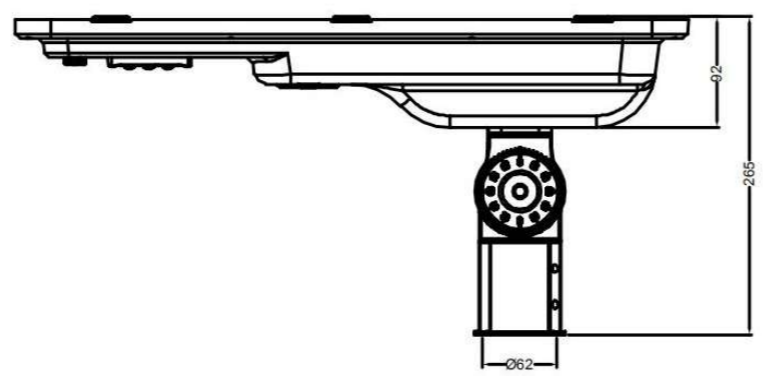
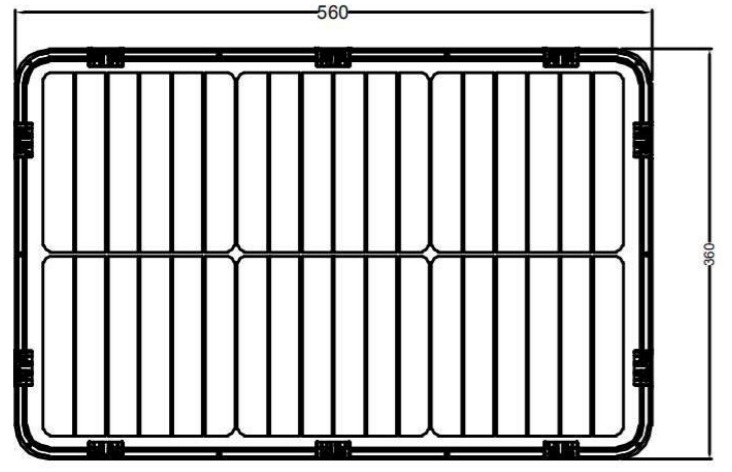


**Specifications**

| PERFORMANCE SUMMARY |                            |
|---------------------|----------------------------|
| Model               | RMS-H210410                |
| Rated Power         | 10W                        |
| System Lumen        | 1800LM                     |
| System Efficiency   | 160~180lm/W                |
| CRI                 | Ra>70                      |
| Color Temp.         | 30K/40K/57K                |
| Optics              | Type II, Type III, Type IV |
| Operating Temp.     | -20°C to 50°C              |
| Ingress Protection  | IP66, IK08                 |
| Motion Sensor       | Mircoware                  |
| L70 Life            | 50,000hours                |
| Warranty            | 5 Years                    |

| DIMENSIONAL DRAWING |       |
|---------------------|-------|
| Length(L)           | 560mm |
| Width(W)            | 360mm |
| Height(H)           | 265mm |

Unit: mm

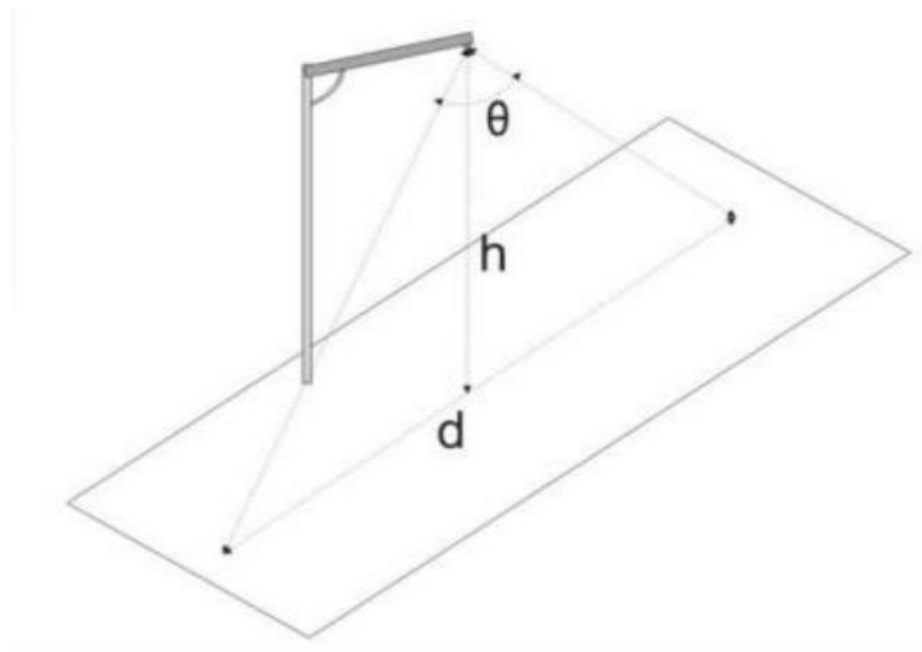


| SOLAR PANEL RATED VOLTAGE |     |
|---------------------------|-----|
| Rated Voltage             | 18V |
| Rated Power               | 30W |

| SOLAR CHARGER            |     |
|--------------------------|-----|
| Operating Voltage        | 12V |
| Motion Activated Funtion | Yes |

| BATTERY PACK      |         |
|-------------------|---------|
| Battery Type      | Lifepo4 |
| Operating Voltage | 12.8V   |
| Capacity          | 6.5Ah   |
| Starting Temp.    | -20°C   |

| DETECTION DISTANCE |        |           |
|--------------------|--------|-----------|
|                    | PIR    | Microwave |
| $\theta$           | 100°   | 100°      |
| h                  | 6-8M   | 6-10M     |
| d                  | 14-18M | 14-22M    |

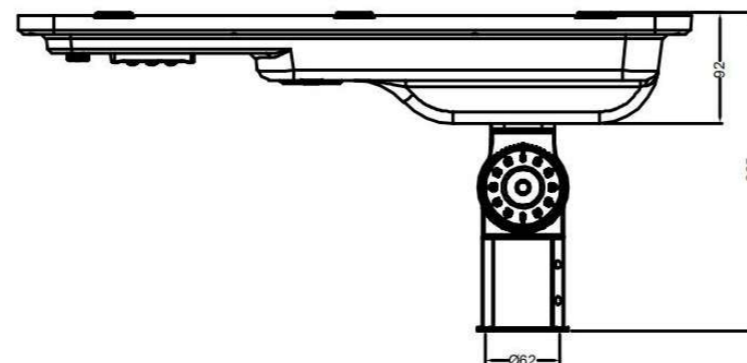
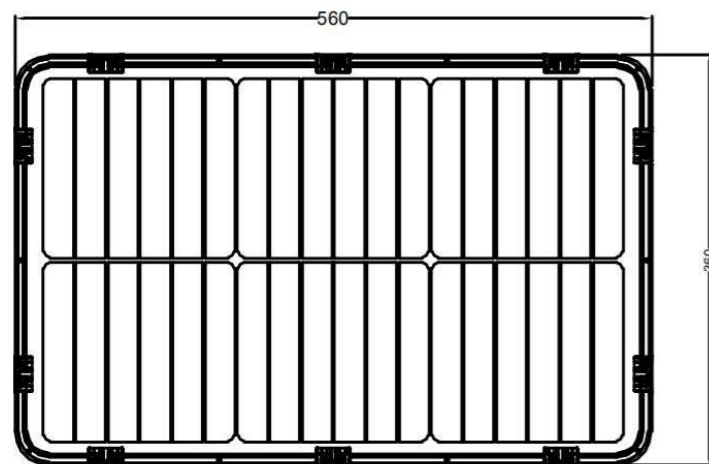


## Specifications

| PERFORMANCE SUMMARY |                            |
|---------------------|----------------------------|
| Model               | RMS-H210420                |
| Rated Power         | 20W                        |
| System Lumen        | 3600LM                     |
| System Efficiency   | 160~180lm/W                |
| CRI                 | Ra>70                      |
| Color Temp.         | 30K/40K/57K                |
| Optics              | Type II, Type III, Type IV |
| Operating Temp.     | -20°C to 50°C              |
| Ingress Protection  | IP66, IK08                 |
| Motion Sensor       | Mircoware                  |
| L70 Life            | 50,000hours                |
| Warranty            | 5 Years                    |

| DIMENSIONAL DRAWING |       |
|---------------------|-------|
| Length(L)           | 560mm |
| Width(W)            | 360mm |
| Height(H)           | 265mm |

Unit: mm

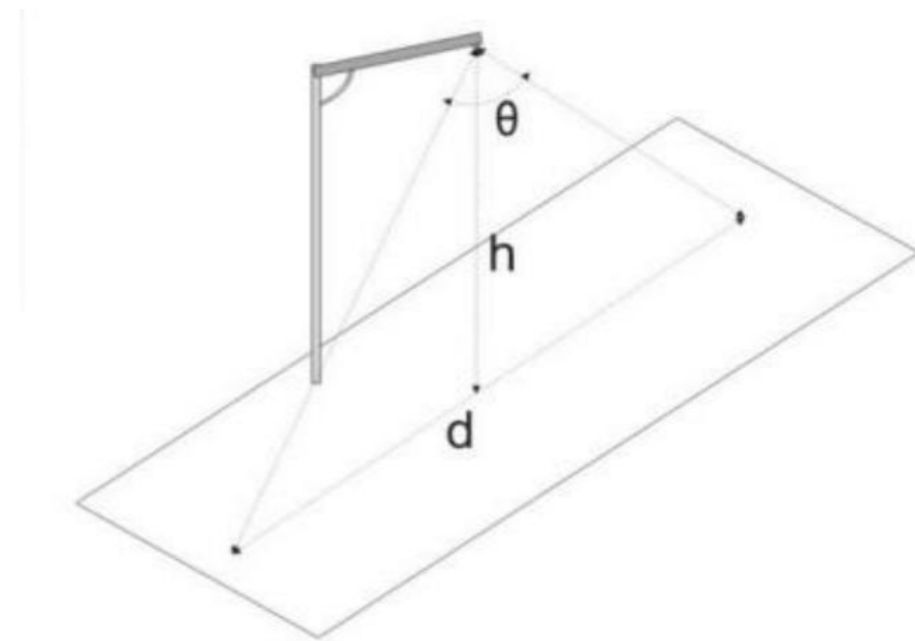


| SOLAR PANEL RATED VOLTAGE |     |
|---------------------------|-----|
| Rated Voltage             | 18V |
| Rated Power               | 30W |

| SOLAR CHARGER            |     |
|--------------------------|-----|
| Operating Voltage        | 12V |
| Motion Activated Funtion | Yes |

| BATTERY PACK      |         |
|-------------------|---------|
| Battery Type      | Lifepo4 |
| Operating Voltage | 12.8V   |
| Capacity          | 10.2Ah  |
| Starting Temp.    | -20°C   |

| DETECTION DISTANCE |        |           |
|--------------------|--------|-----------|
|                    | PIR    | Microwave |
| $\theta$           | 100°   | 100°      |
| h                  | 6-8M   | 6-10M     |
| d                  | 14-18M | 14-22M    |

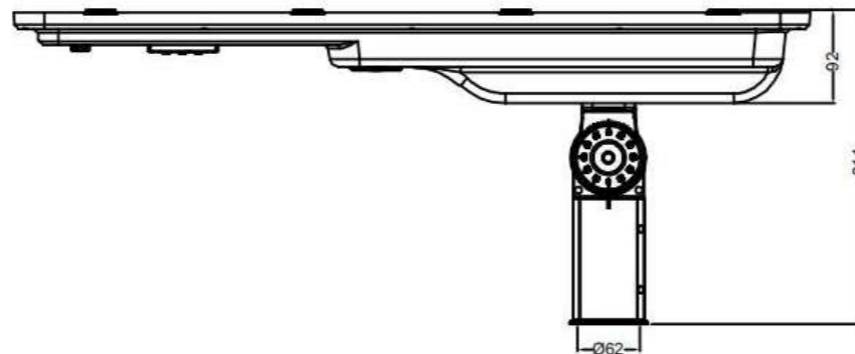
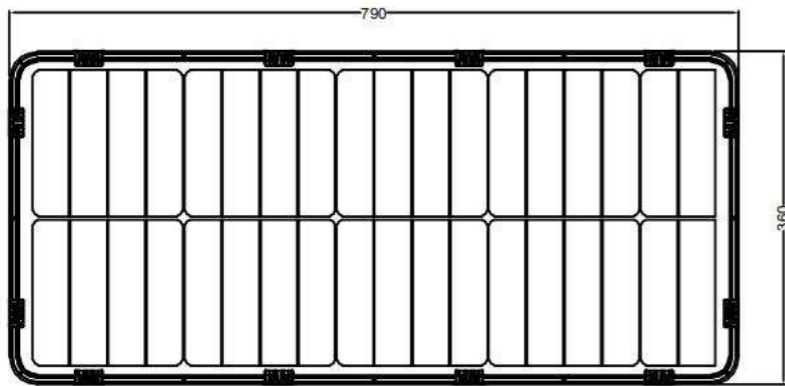


**Specifications**

| PERFORMANCE SUMMARY |                            |
|---------------------|----------------------------|
| Model               | RMS-H210430                |
| Rated Power         | 30W                        |
| System Lumen        | 4800LM                     |
| System Efficiency   | 160~180lm/W                |
| CRI                 | Ra>70                      |
| Color Temp.         | 30K/40K/57K                |
| Optics              | Type II, Type III, Type IV |
| Operating Temp.     | -20°C to 50°C              |
| Ingress Protection  | IP66, IK08                 |
| Motion Sensor       | Mircoware                  |
| L70 Life            | 50,000hours                |
| Warranty            | 5 Years                    |

| DIMENSIONAL DRAWING |       |
|---------------------|-------|
| Length(L)           | 790mm |
| Width(W)            | 360mm |
| Height(H)           | 311mm |

Unit: mm

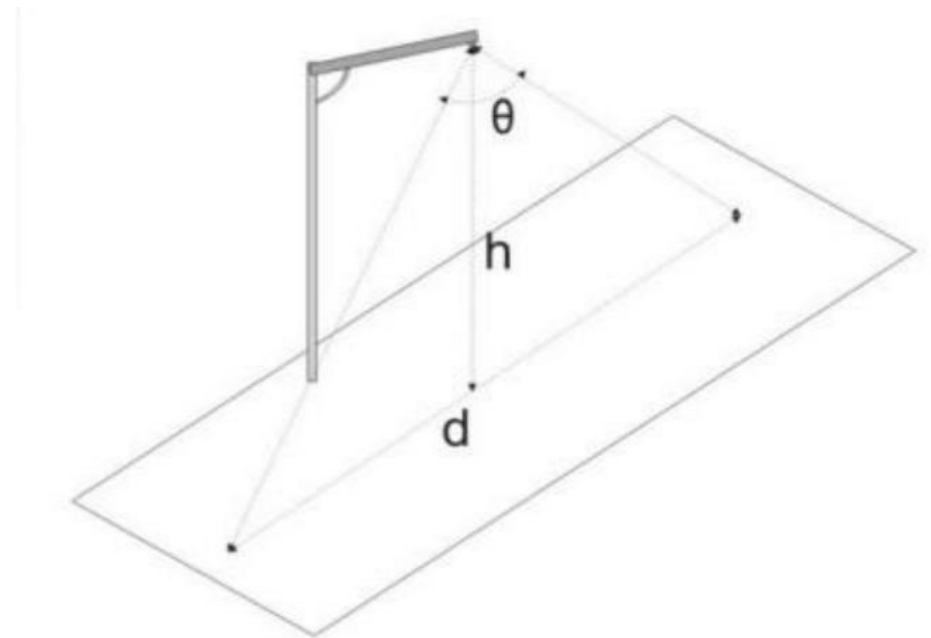


| SOLAR PANEL RATED VOLTAGE |     |
|---------------------------|-----|
| Rated Voltage             | 18V |
| Rated Power               | 50W |

| SOLAR CHARGER            |     |
|--------------------------|-----|
| Operating Voltage        | 12V |
| Motion Activated Funtion | Yes |

| BATTERY PACK      |         |
|-------------------|---------|
| Battery Type      | Lifepo4 |
| Operating Voltage | 12.8V   |
| Capacity          | 20.4Ah  |
| Starting Temp.    | -20°C   |

| DETECTION DISTANCE |        |           |
|--------------------|--------|-----------|
|                    | PIR    | Microwave |
| $\theta$           | 100°   | 100°      |
| h                  | 6-8M   | 6-10M     |
| d                  | 14-18M | 14-22M    |



**Specifications**

| PERFORMANCE SUMMARY |                            |
|---------------------|----------------------------|
| Model               | RMS-H210440                |
| Rated Power         | 40W                        |
| System Lumen        | 6400LM                     |
| System Efficiency   | 160~180lm/W                |
| CRI                 | Ra>70                      |
| Color Temp.         | 30K/40K/57K                |
| Optics              | Type II, Type III, Type IV |
| Operating Temp.     | -20°C to 50°C              |
| Ingress Protection  | IP66, IK08                 |
| Motion Sensor       | Mircoware                  |
| L70 Life            | 50,000hours                |
| Warranty            | 5 Years                    |

| DIMENSIONAL DRAWING |       |
|---------------------|-------|
| Length(L)           | 790mm |
| Width(W)            | 360mm |
| Height(H)           | 311mm |

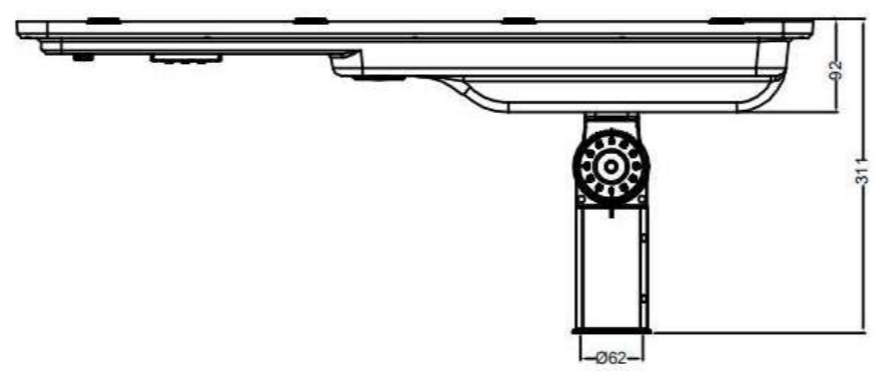
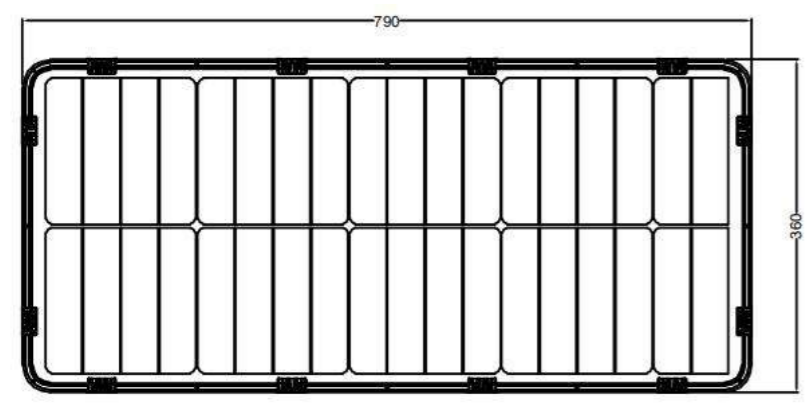
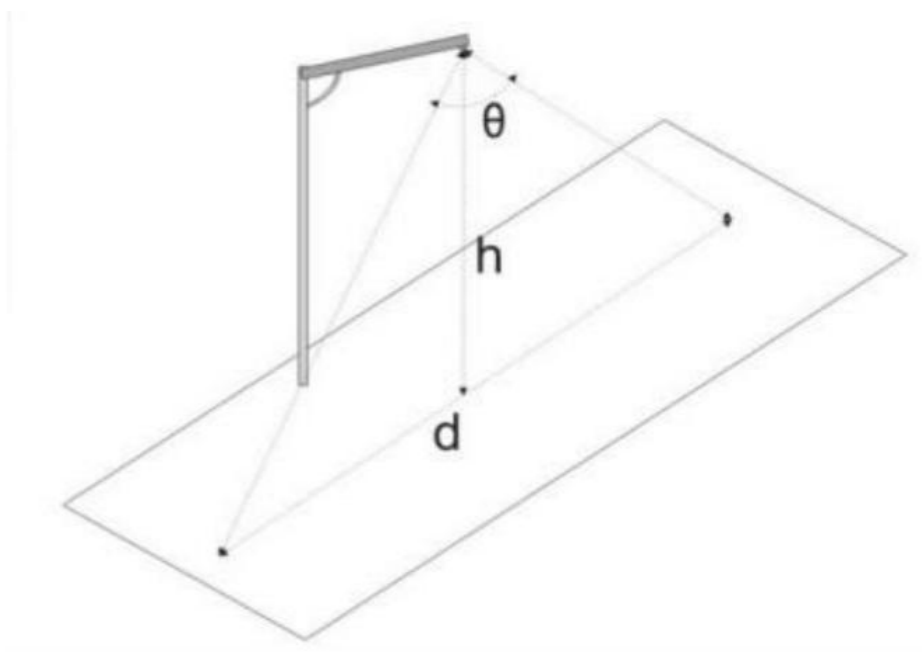
Unit: mm

| SOLAR PANEL RATED VOLTAGE |     |
|---------------------------|-----|
| Rated Voltage             | 18V |
| Rated Power               | 50W |

| SOLAR CHARGER            |     |
|--------------------------|-----|
| Operating Voltage        | 12V |
| Motion Activated Funtion | Yes |

| BATTERY PACK      |         |
|-------------------|---------|
| Battery Type      | Lifepo4 |
| Operating Voltage | 12.8V   |
| Capacity          | 34AH    |
| Starting Temp.    | -20°C   |

| DETECTION DISTANCE |        |           |
|--------------------|--------|-----------|
|                    | PIR    | Microwave |
| $\theta$           | 100°   | 100°      |
| h                  | 6-8M   | 6-10M     |
| d                  | 14-18M | 14-22M    |

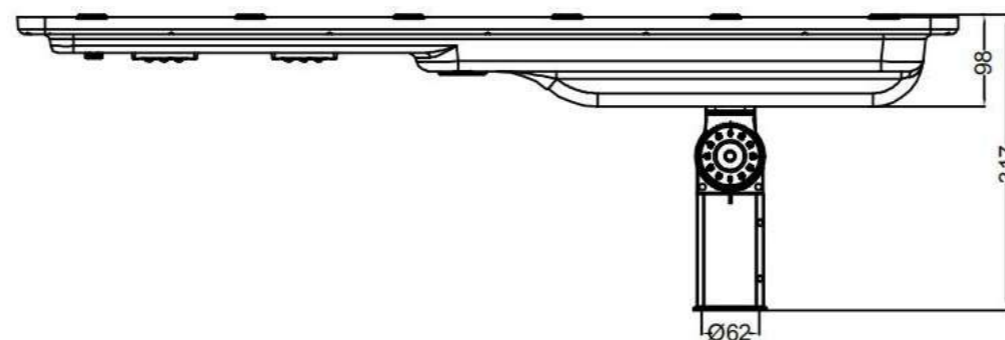
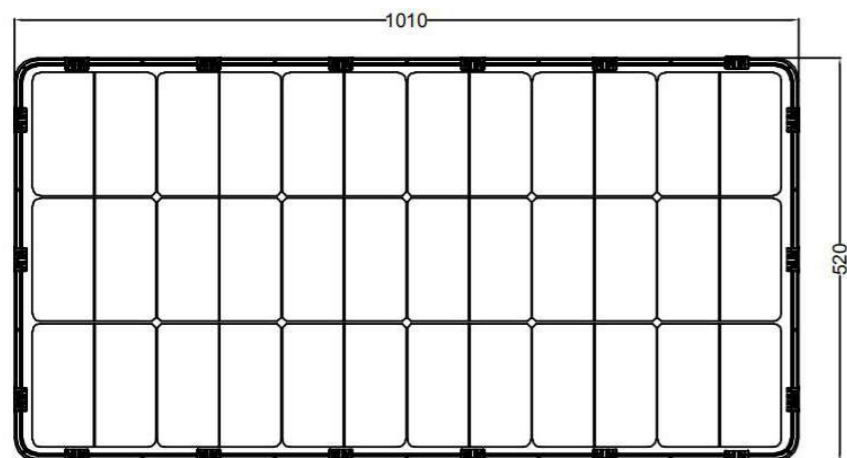


## Specifications

| PERFORMANCE SUMMARY |                            |
|---------------------|----------------------------|
| Model               | RMS-H210460                |
| Rated Power         | 60W                        |
| System Lumen        | 10200LM                    |
| System Efficiency   | 160~180lm/W                |
| CRI                 | Ra>70                      |
| Color Temp.         | 30K/40K/57K                |
| Optics              | Type II, Type III, Type IV |
| Operating Temp.     | -20°C to 50°C              |
| Ingress Protection  | IP66, IK08                 |
| Motion Sensor       | Mircoware                  |
| L70 Life            | 50,000hours                |
| Warranty            | 5 Years                    |

| DIMENSIONAL DRAWING |        |
|---------------------|--------|
| Length(L)           | 1010mm |
| Width(W)            | 520mm  |
| Height(H)           | 317mm  |

Unit: mm

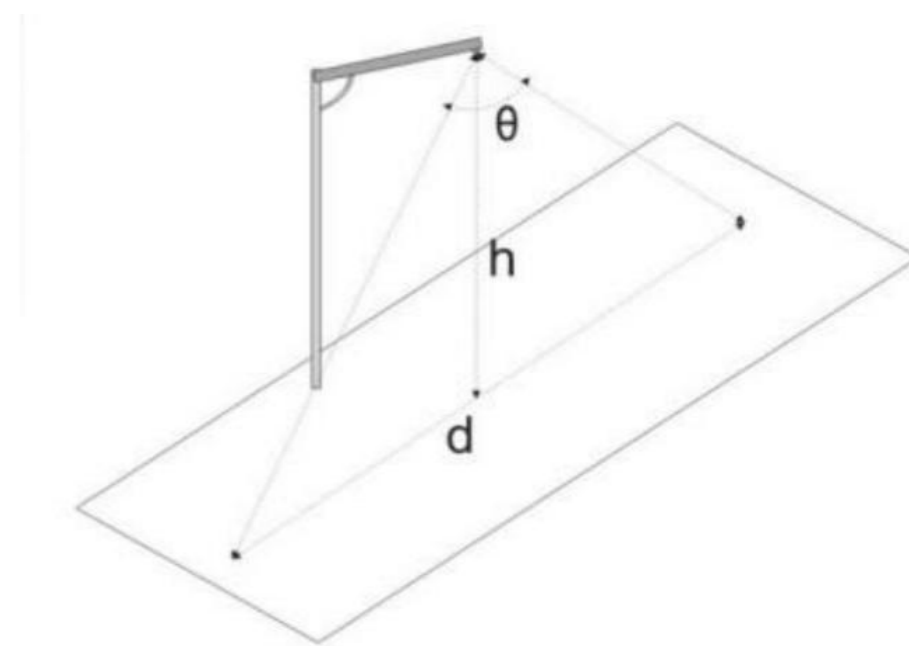


| SOLAR PANEL RATED VOLTAGE |     |
|---------------------------|-----|
| Rated Voltage             | 18V |
| Rated Power               | 95W |

| SOLAR CHARGER            |     |
|--------------------------|-----|
| Operating Voltage        | 12V |
| Motion Activated Funtion | Yes |

| BATTERY PACK      |         |
|-------------------|---------|
| Battery Type      | Lifepo4 |
| Operating Voltage | 12.8V   |
| Capacity          | 44.2Ah  |
| Starting Temp.    | -20°C   |

| DETECTION DISTANCE |        |           |
|--------------------|--------|-----------|
|                    | PIR    | Microwave |
| $\theta$           | 100°   | 100°      |
| h                  | 6-8M   | 6-10M     |
| d                  | 14-18M | 14-22M    |



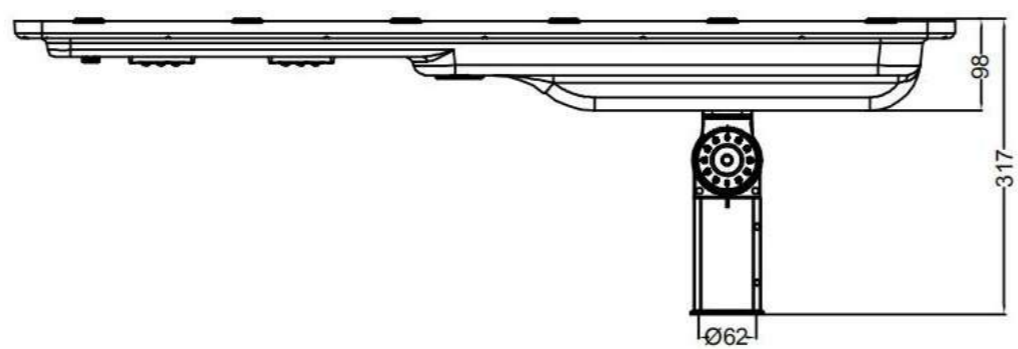
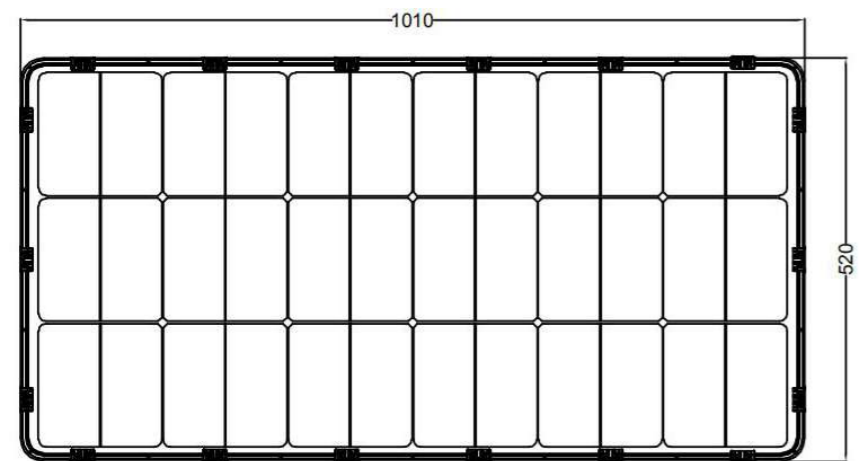


**Specifications**

| PERFORMANCE SUMMARY |                            |
|---------------------|----------------------------|
| Model               | RMS-H210480                |
| Rated Power         | 80W                        |
| System Lumen        | 13600LM                    |
| System Efficiency   | 160~180lm/W                |
| CRI                 | Ra>70                      |
| Color Temp.         | 30K/40K/57K                |
| Optics              | Type II, Type III, Type IV |
| Operating Temp.     | -20°C to 50°C              |
| Ingress Protection  | IP66, IK08                 |
| Motion Sensor       | Mircoware                  |
| L70 Life            | 50,000hours                |
| Warranty            | 5 Years                    |

| DIMENSIONAL DRAWING |        |
|---------------------|--------|
| Length(L)           | 1010mm |
| Width(W)            | 520mm  |
| Height(H)           | 317mm  |

Unit: mm

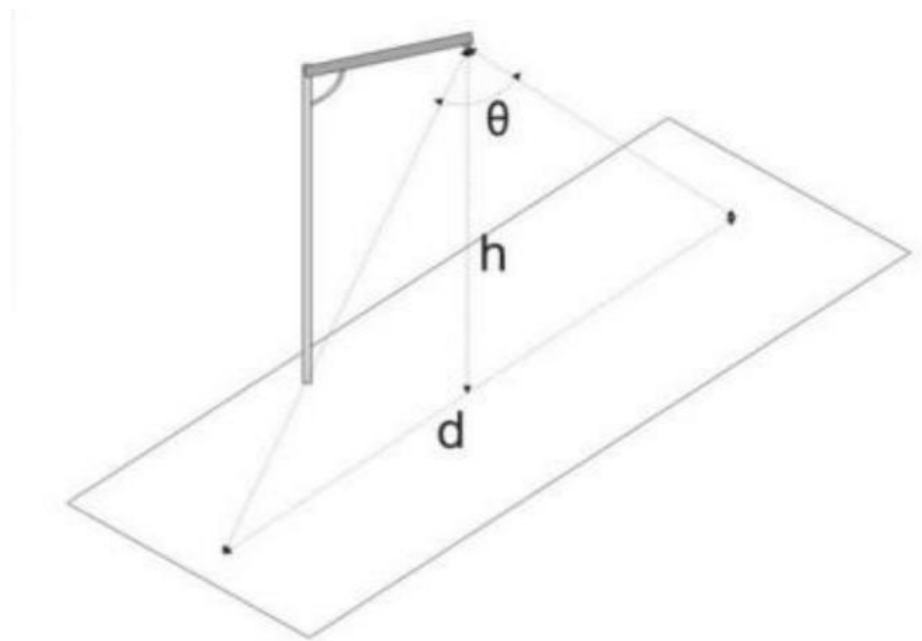


| SOLAR PANEL RATED VOLTAGE |     |
|---------------------------|-----|
| Rated Voltage             | 18V |
| Rated Power               | 95W |

| SOLAR CHARGER            |     |
|--------------------------|-----|
| Operating Voltage        | 12V |
| Motion Activated Funtion | Yes |

| BATTERY PACK      |         |
|-------------------|---------|
| Battery Type      | Lifepo4 |
| Operating Voltage | 12.8V   |
| Capacity          | 51Ah    |
| Starting Temp.    | -20°C   |

| DETECTION DISTANCE |        |           |
|--------------------|--------|-----------|
|                    | PIR    | Microwave |
| $\theta$           | 100°   | 100°      |
| h                  | 6-8M   | 6-10M     |
| d                  | 14-18M | 14-22M    |



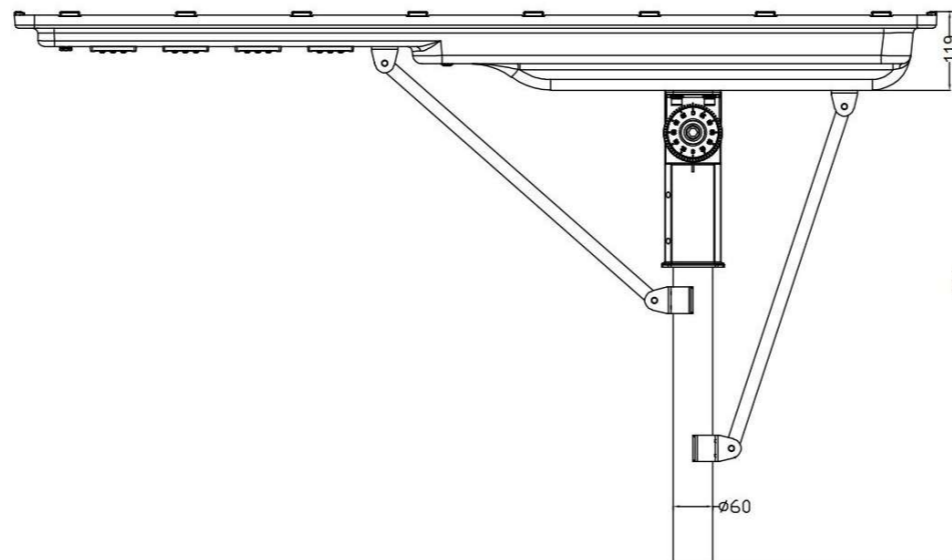
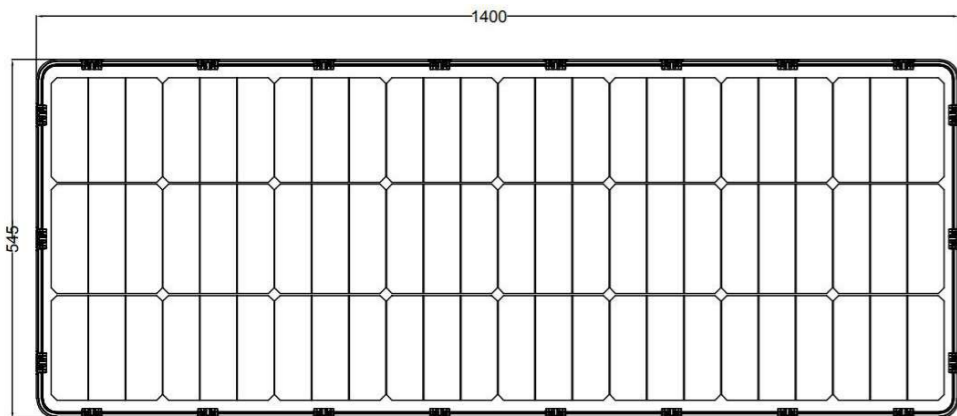


**Specifications**

| PERFORMANCE SUMMARY |                            |
|---------------------|----------------------------|
| Model               | RMS-H2104100               |
| Rated Power         | 100W                       |
| System Lumen        | 18000LM                    |
| System Efficiency   | 160~180lm/W                |
| CRI                 | Ra>70                      |
| Color Temp.         | 30K/40K/57K                |
| Optics              | Type II, Type III, Type IV |
| Operating Temp.     | -20°C to 50°C              |
| Ingress Protection  | IP66, IK08                 |
| Motion Sensor       | Mircoware                  |
| L70 Life            | 50,000hours                |
| Warranty            | 5 Years                    |

| DIMENSIONAL DRAWING |        |
|---------------------|--------|
| Length(L)           | 1400mm |
| Width(W)            | 545mm  |
| Height(H)           | 838mm  |

Unit: mm

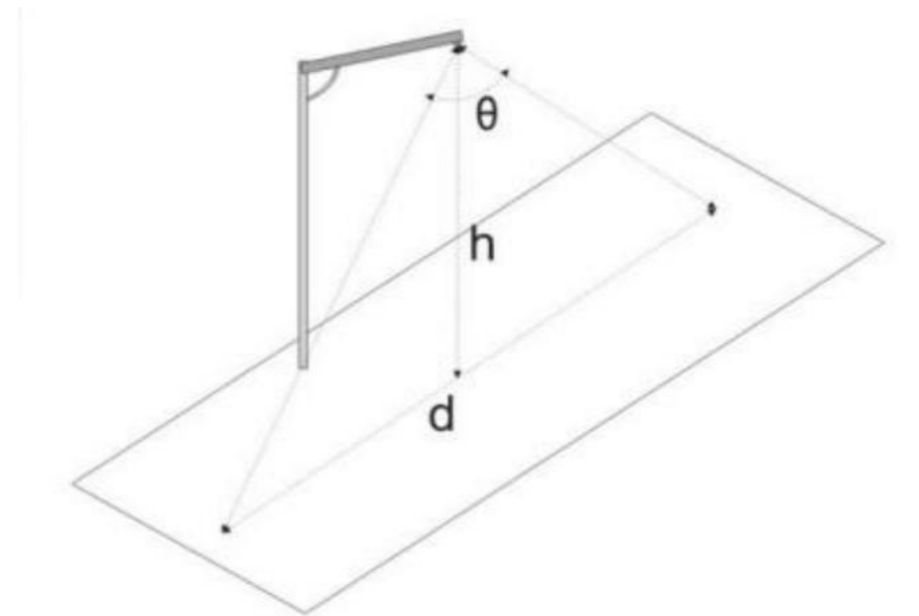


| SOLAR PANEL RATED VOLTAGE |      |
|---------------------------|------|
| Rated Voltage             | 18V  |
| Rated Power               | 145W |

| SOLAR CHARGER            |     |
|--------------------------|-----|
| Operating Voltage        | 12V |
| Motion Activated Funtion | Yes |

| BATTERY PACK      |         |
|-------------------|---------|
| Battery Type      | Lifepo4 |
| Operating Voltage | 25.6V   |
| Capacity          | 34Ah    |
| Starting Temp.    | -20°C   |

| DETECTION DISTANCE |        |           |
|--------------------|--------|-----------|
|                    | PIR    | Microwave |
| $\theta$           | 100°   | 100°      |
| h                  | 6-8M   | 6-10M     |
| d                  | 14-18M | 14-22M    |

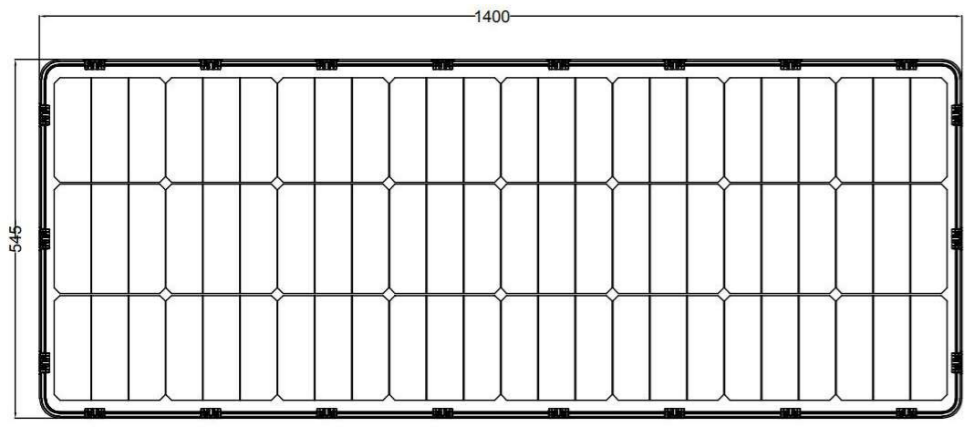


**Specifications**

| PERFORMANCE SUMMARY |                            |
|---------------------|----------------------------|
| Model               | RMS-H2104120               |
| Rated Power         | 120W                       |
| System Lumen        | 21000LM                    |
| System Efficiency   | 160~180lm/W                |
| CRI                 | Ra>70                      |
| Color Temp.         | 30K/40K/57K                |
| Optics              | Type II, Type III, Type IV |
| Operating Temp.     | -20°C to 50°C              |
| Ingress Protection  | IP66, IK08                 |
| Motion Sensor       | Mircoware                  |
| L70 Life            | 50,000hours                |
| Warranty            | 5 Years                    |

| DIMENSIONAL DRAWING |        |
|---------------------|--------|
| Length(L)           | 1400mm |
| Width(W)            | 545mm  |
| Height(H)           | 838mm  |

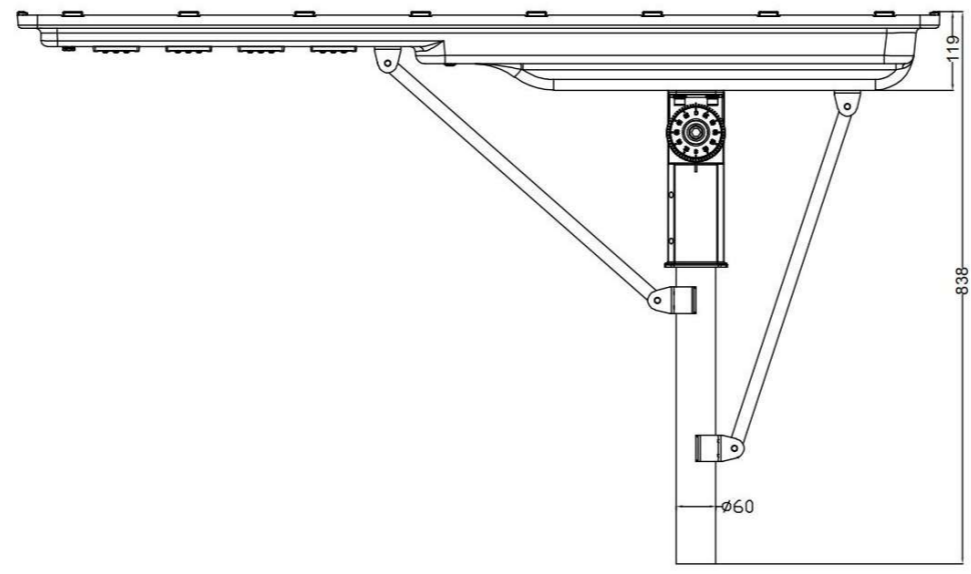
Unit: mm



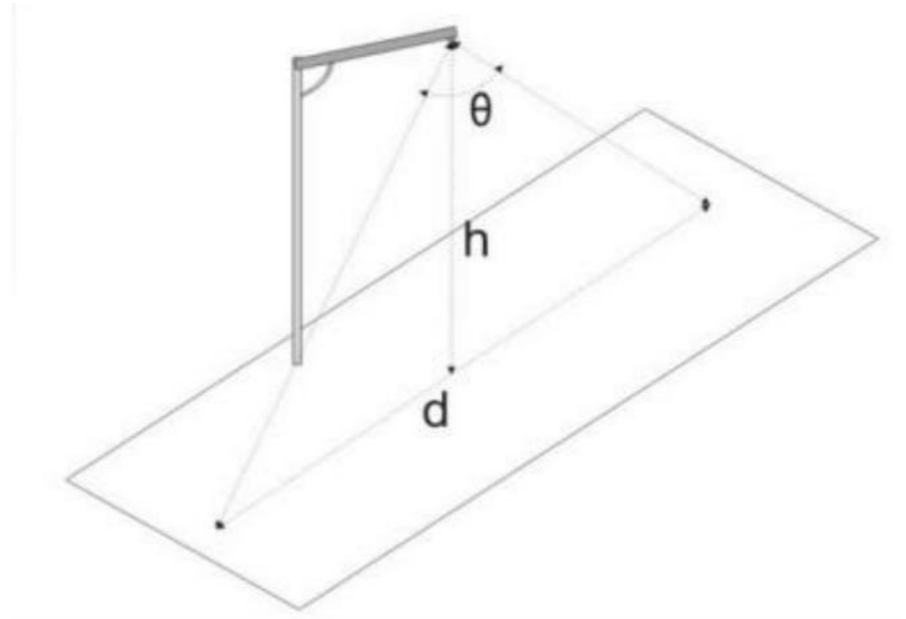
| SOLAR PANEL RATED VOLTAGE |      |
|---------------------------|------|
| Rated Voltage             | 36V  |
| Rated Power               | 145W |

| SOLAR CHARGER            |     |
|--------------------------|-----|
| Operating Voltage        | 12V |
| Motion Activated Funtion | Yes |

| BATTERY PACK      |         |
|-------------------|---------|
| Battery Type      | Lifepo4 |
| Operating Voltage | 25.6V   |
| Capacity          | 47.6Ah  |
| Starting Temp.    | -20°C   |



| DETECTION DISTANCE |        |           |
|--------------------|--------|-----------|
|                    | PIR    | Microwave |
| $\theta$           | 100°   | 100°      |
| h                  | 6-8M   | 6-10M     |
| d                  | 14-18M | 14-22M    |



## Intelligence Control

### 2-in 1 sensor

- \* Detecting natural light Intensity and motion
- \* Automatically turn on, off or dim down



Day



Without human body induction at night



With human body induction at night

The intelligent control system can operate without interruption, ensure the effective lighting.

### Scheduling

\* Customized scheduling is available

| Control System |                          |                        |
|----------------|--------------------------|------------------------|
| Induction time | Somebody under the light | Nobody under the light |
| 2H             | 100%                     | 50%                    |
| 3H             | 50%                      | 30%                    |
| 6H             | 20%                      | 10%                    |
| 1H             | 30%                      | 10%                    |

## Beam Angle

Choose from Type II, III, IV  
Applicable from street lighting to area lighting

