

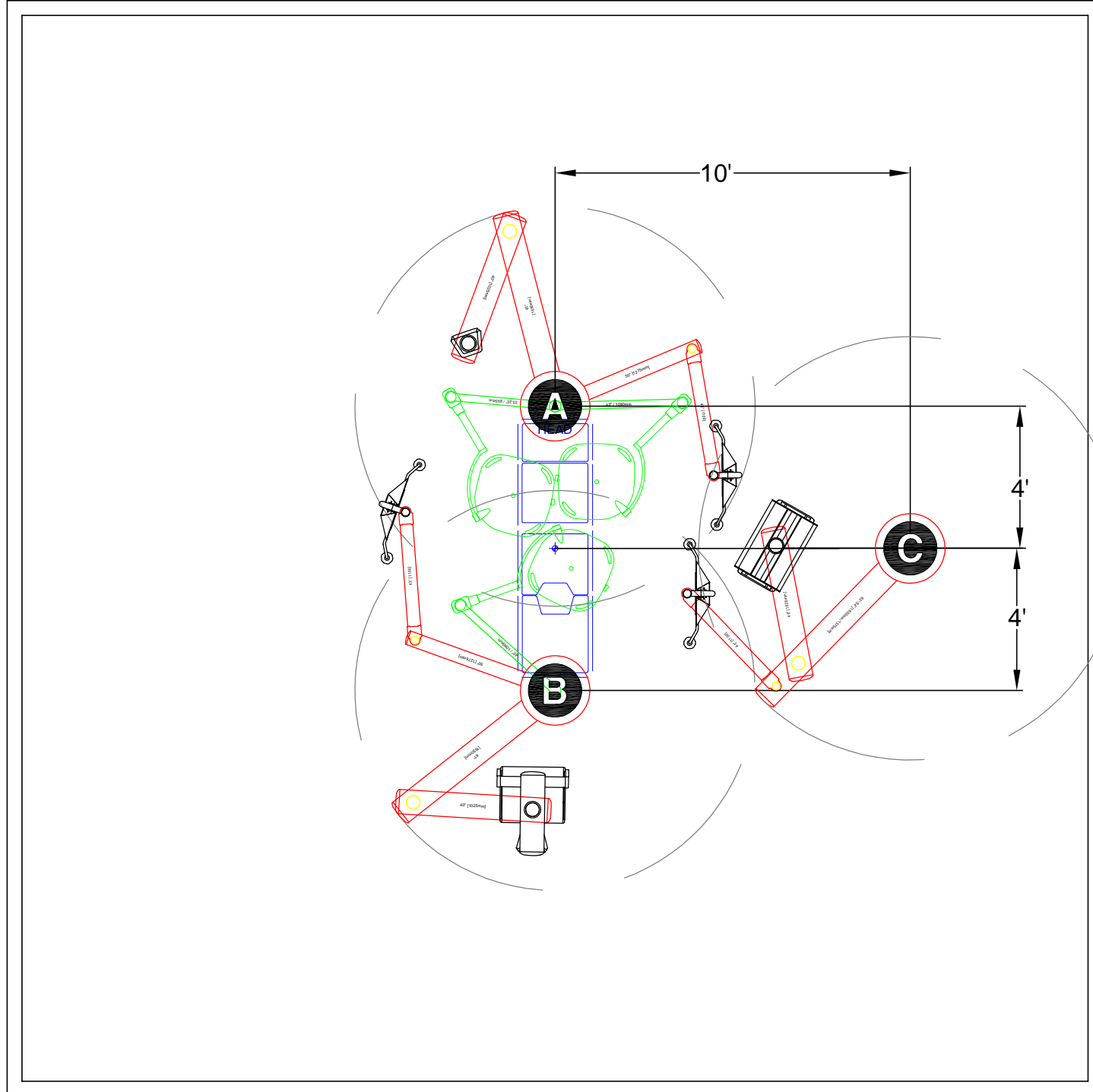


IN THE EVENT THAT FIXTURE LOCATIONS NEED TO CHANGE, PLEASE CHECK WITH SKYTRON ON THE REVISED LAYOUT LOCATION. FINAL CONSTRUCTION DOCUMENTS SHOULD BE PROVIDED BY THE ARCHITECT.



GENERIC LAYOUT

EQUIPMENT SCHEDULE	
ID	DESCRIPTION
A	ANESTHESIA / MONITOR W/ DUAL LIGHTS
B	EQUIPMENT / MONITOR W/ LIGHT
C	MONITOR & PERFUSION
* IF SKYVISION IS APPLICABLE REFER TO THE LAST PORTION OF BOOM PACKAGE*	



INITIAL: _____
DATE: _____

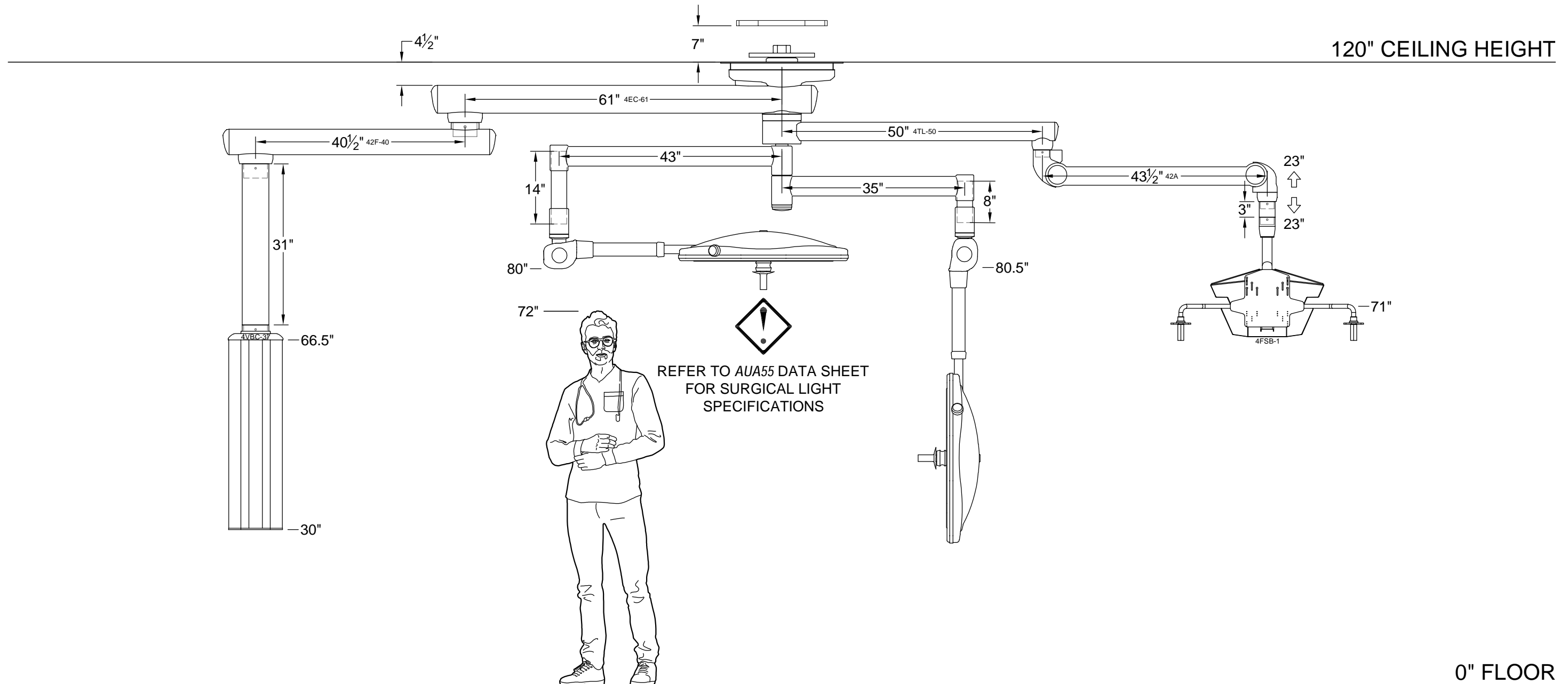
PROJECT #: 21-000
PRELIMINARY
PLOT DATE: 9/9/2021

CVOR

REV #: 0

ROOM TYPE: CVOR
DESCRIPTION: ROOM LAYOUT

SHEET
00



CVOR

QTY: 1
REV #: 0
MODEL: F320 SERIES
DESCRIPTION: ELEVATION DETAILS

SHEET
A1

INITIAL: _____
DATE: _____

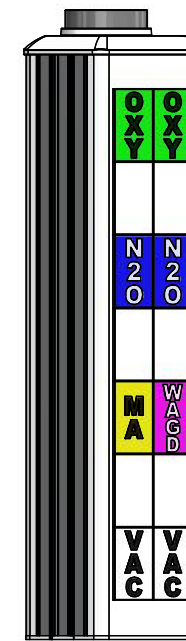
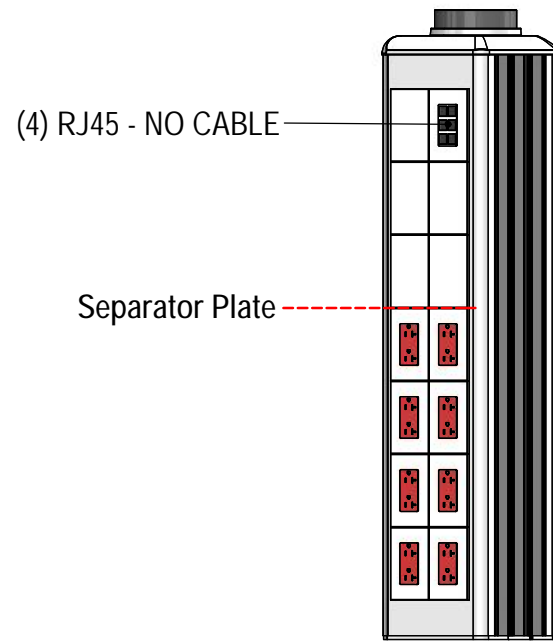
Max Fixture Weight: 1,188 lbs.
Max Moment Load: 6,922 ft. lbs.

Equipment Capacity: 4VBC-37 - 368 lbs.
4FSB-1 - 40 lbs.

Note:
Communications can only
be placed above the
top-most separator plate

FRONT-LEFT VIEW

FRONT-RIGHT VIEW



DESCRIPTION	QTY.
OXYGEN	2
NITROUS OXIDE	2
MEDICAL AIR	1
WAGD	1
VACUUM	2

ELECTRICAL OUTLETS: (8) 125V, 20A DUPLEX - RED

GAS FACEPLATE STYLE: DISS

CARRIER DIMENSIONS: 37.75"H x 10.75"W x 8.25"D

GAS COLOR KEY:

CARBON DIOXIDE	MEDICAL AIR	OXYGEN
HELIOX	NITROGEN	VACUUM
INSTRUMENT AIR	NITROUS OXIDE	WAGD

INITIAL: _____
DATE: _____

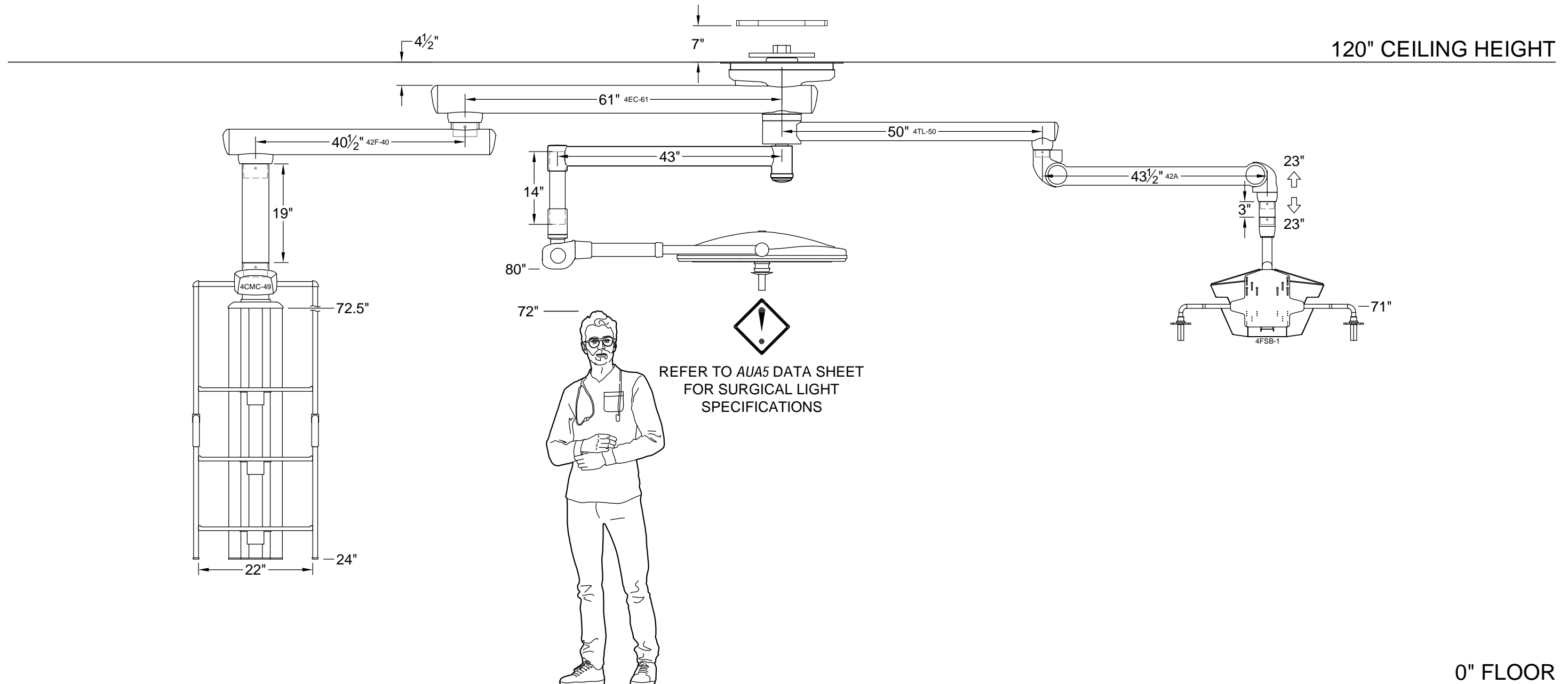
FOR A COMPLETE LIST OF ACCESSORIES
REFER TO YOUR QUOTE

PROJECT #: 21-000
PRELIMINARY
PLOT DATE: 9/9/2021

CVOR

QTY: 1
REV #: 0
REF #: C-71935
MODEL: F320 SERIES
DESCRIPTION: CARRIER DETAILS

SHEET
A2



120" CEILING HEIGHT

0" FLOOR

CVOR

INITIAL: _____
DATE: _____

Max Fixture Weight: 1,188 lbs.
Max Moment Load: 6,922 ft. lbs.

Equipment Capacity: 4CMC-49 - 209 lbs.
4FSB-1 - 40 lbs.

REF #: C-71937
MODEL: F320 SERIES
DESCRIPTION: ELEVATION DETAILS

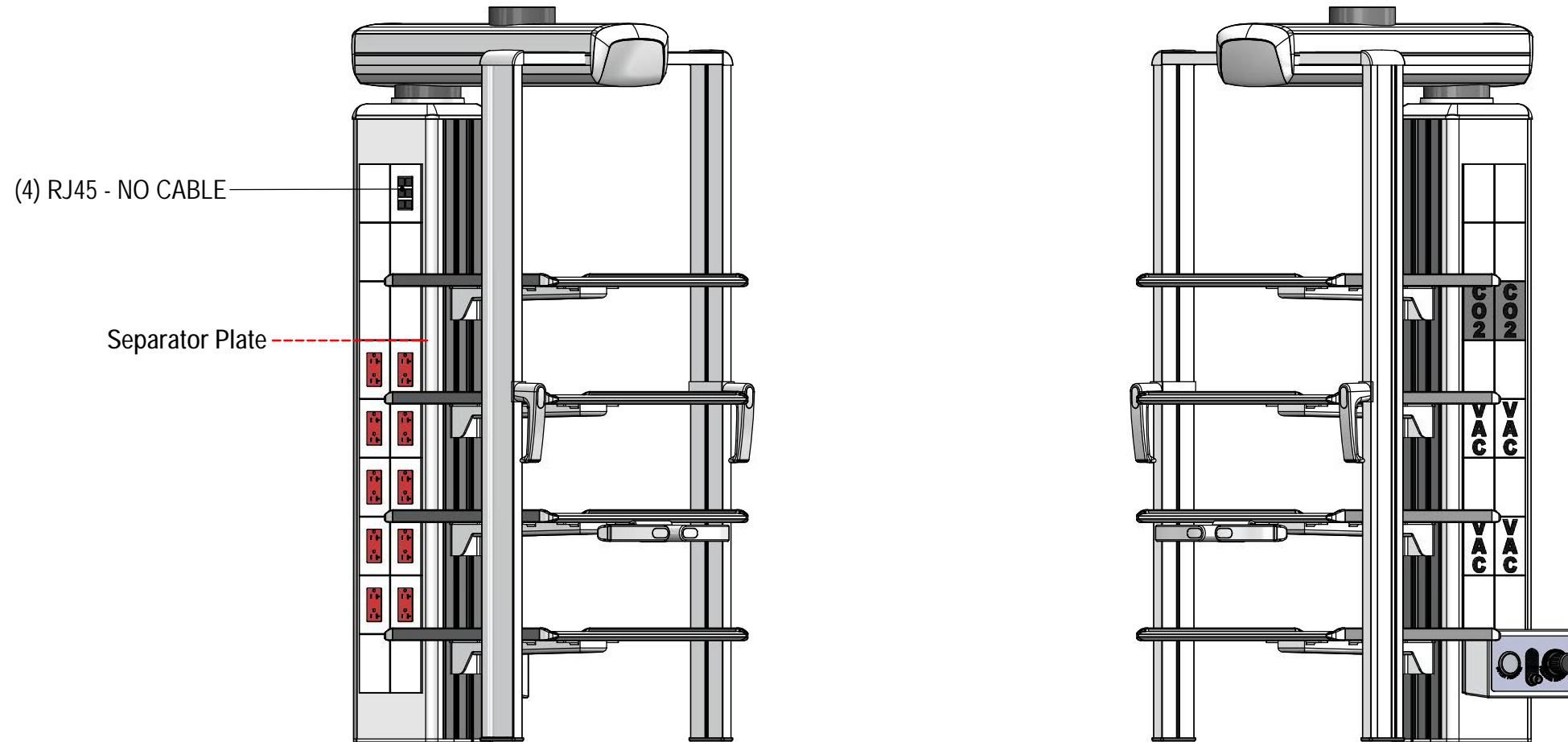
QTY: 1
REV #: 0

SHEET
B1

Note:
Communications can only
be placed above the
top-most separator plate

FRONT-LEFT VIEW

FRONT-RIGHT VIEW



CVOR



ELECTRICAL OUTLETS: (10) 125V, 20A DUPLEX - RED

GAS FACEPLATE STYLE: DISS

CARRIER DIMENSIONS: 56"H x 24"W x 28.75"D

GAS COLOR KEY:

CARBON DIOXIDE	MEDICAL AIR	OXYGEN
HELIOX	NITROGEN	VACUUM
INSTRUMENT AIR	NITROUS OXIDE	WAGD

DESCRIPTION	QTY.
CARBON DIOXIDE (DISS)	2
VACUUM	4
SINGLE NITROGEN SYSTEM	1

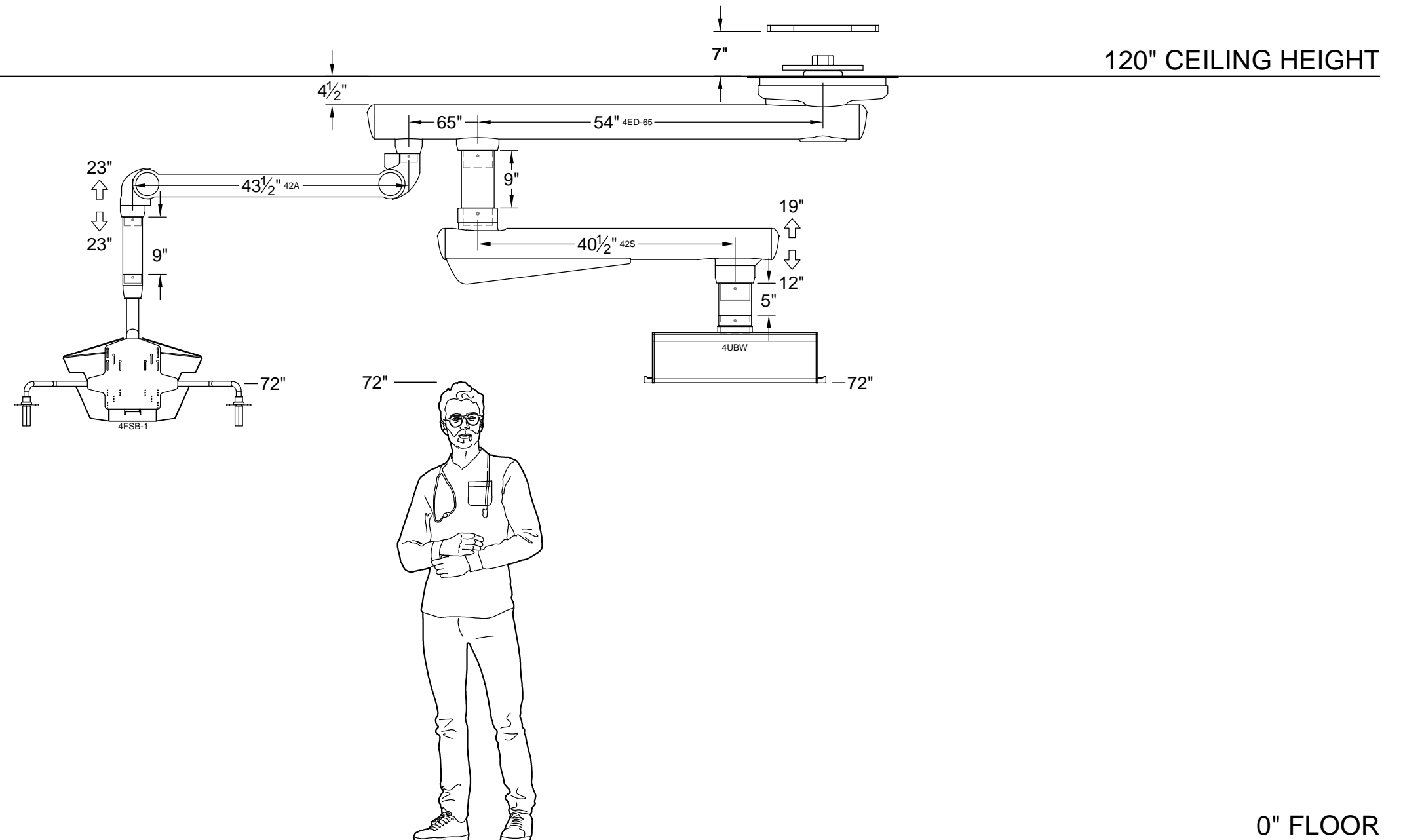
INITIAL: _____
DATE: _____

FOR A COMPLETE LIST OF ACCESSORIES
REFER TO YOUR QUOTE

REF #: C-71937
MODEL: F320 SERIES
DESCRIPTION: CARRIER DETAILS

QTY: 1
REV #: 0

SHEET
B2



CVOR

INITIAL: _____
DATE: _____

Max Fixture Weight: 941 lbs.
Max Moment Load: 5,399 ft. lbs.

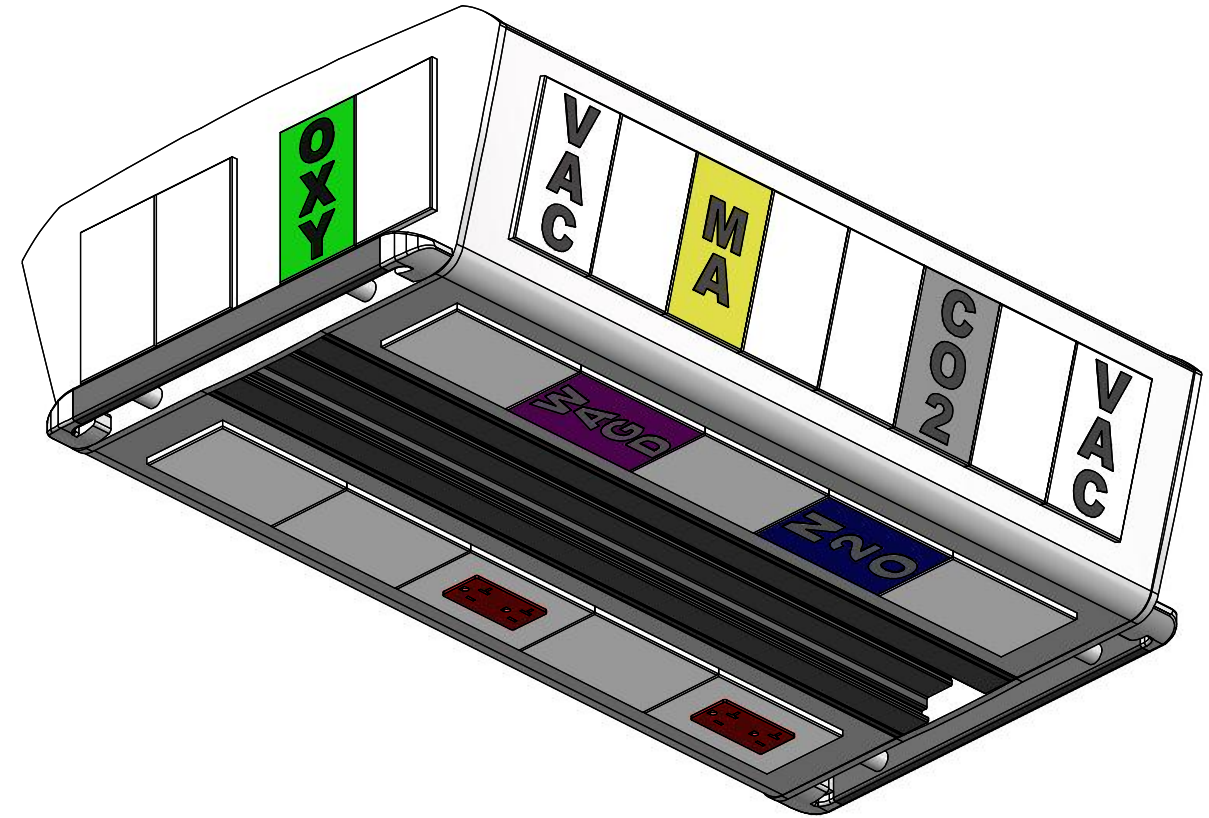
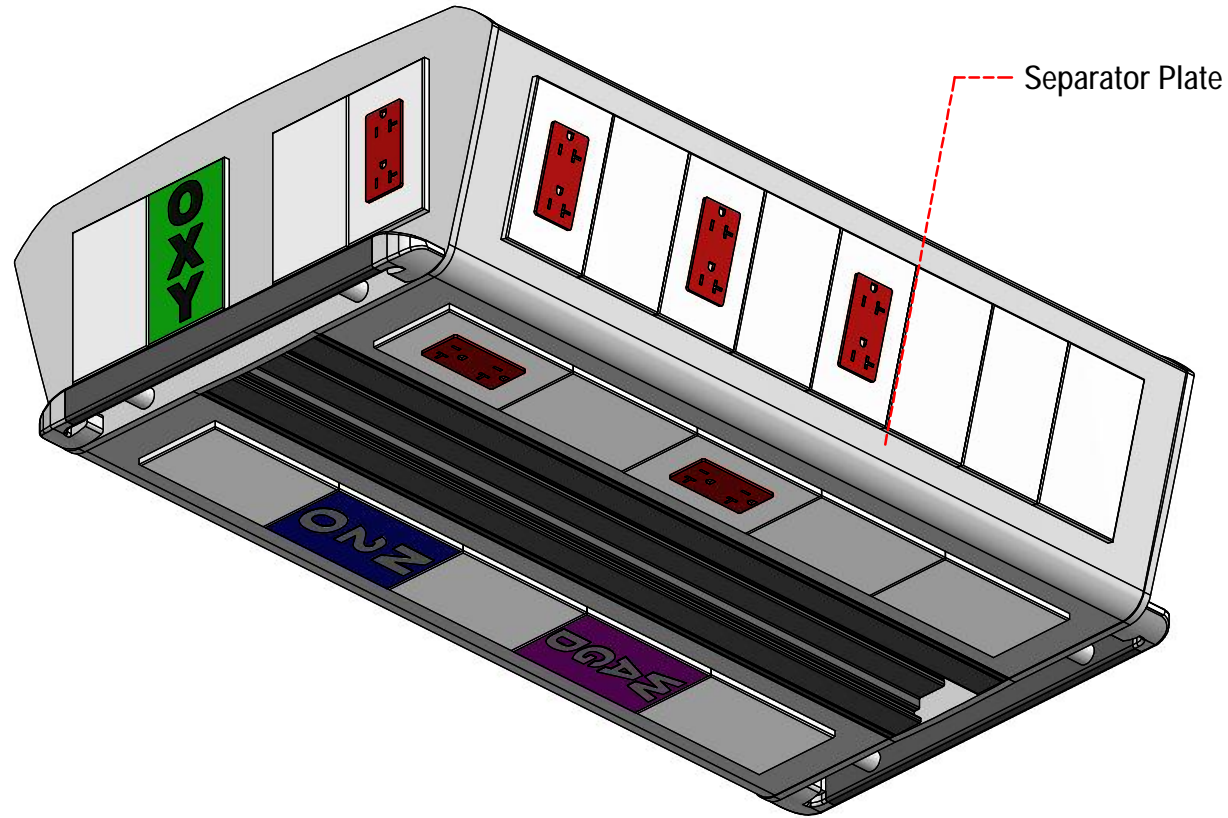
Equipment Capacity: 4UBW - 60 lbs.
4FSB-1 - 38 lbs.

REF #: C-71942
MODEL: F410 SERIES
DESCRIPTION: ELEVATION DETAILS

QTY: 1
REV #: 0

SHEET
C1

Note:
Communications can only
be placed to the right of the
right-most separator plate



DESCRIPTION	QTY.
VACUUM	2
MEDICAL AIR	1
CARBON DIOXIDE (DISS)	1
NITROUS OXIDE	1
WAGD	1
OXYGEN	2

ELECTRICAL OUTLETS: (6) 125V, 20A DUPLEX - RED

GAS FACEPLATE STYLE: DISS

CARRIER DIMENSIONS: 8"H x 28.5"W x 17.5"D

GAS COLOR KEY:

CARBON DIOXIDE	MEDICAL AIR	OXYGEN
HELIOX	NITROGEN	VACUUM
INSTRUMENT AIR	NITROUS OXIDE	WAGD

INITIAL: _____
DATE: _____

FOR A COMPLETE LIST OF ACCESSORIES
REFER TO YOUR QUOTE

PROJECT #: 21-000
PRELIMINARY
PLOT DATE: 9/9/2021

CVOR

QTY: 1
REV #: 0
REF #: C-71942
MODEL: F410 SERIES
DESCRIPTION: CARRIER DETAILS

SHEET
C2