

DARELO™



DOUBLE T5 INTEGRATED LIGHT

1. Length: 2ft, 3ft, 4ft, 5ft, 6ft, 8ft
2. PF>0.95
3. THD<20%
4. Life Span: 50,000 hours
5. Color Index: Ra>82
6. Temperature range: -10° to 45°
7. Input Voltage: AC120V / AC100-277V / AC100-240V



DARELO™

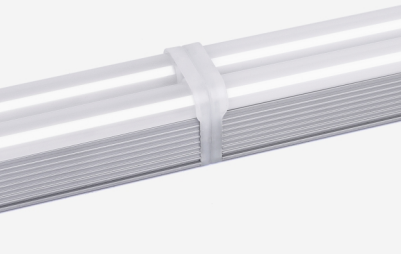
Daisy chain connection,
Male-Female joint.



Lead in wire



Seamless connection with
in-line connector

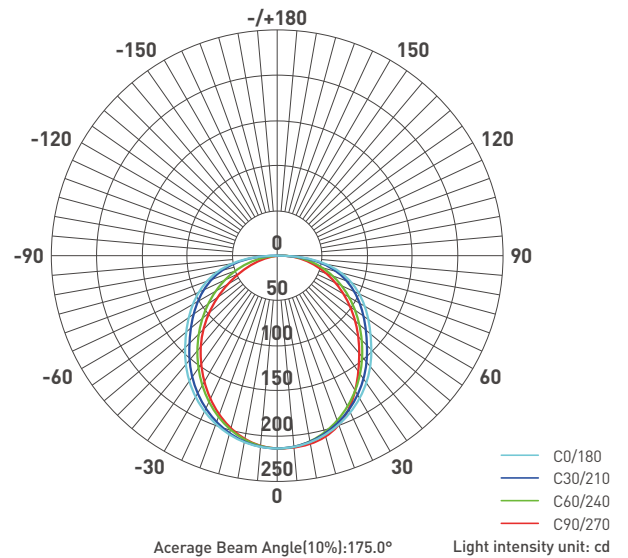


- (1). Connecting cable
- (2). Male-Female joint
- (3). Power supply cable
- (4). Screws
- (5). Mounting clips

Product Description

The Double T5 integrated light is an integrated design for indoor applications. High-efficiency light engine with long life and excellent color ensures excellent quality light. They can be seamlessly connected to optional cables or connectors.

Light Distribution Curve



Product Features

- Double Row Led Lights
- Patent Male-female linkable design
- Seamless & No Dark in-line connection
- Maximum tandem wattage: 200W and 600W optional
- 0.8mm aluminum housing for excellent heat dissipation
- Heat protection system, with excellent internal driver
- Enjoy Hassle-free, safe and easy Installation

DARELO™

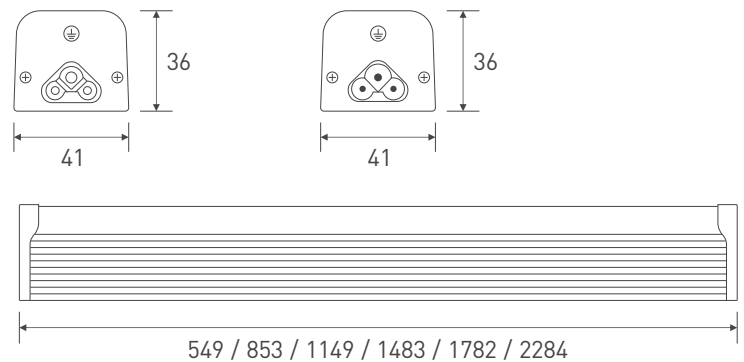
Highly efficient led light



Application

- Warehouses, factories & food storage
- Supermarket, shopping malls, Office
- Home, Hotel, Parking lot, garage etc

Product Line Drawing (Size:mm)



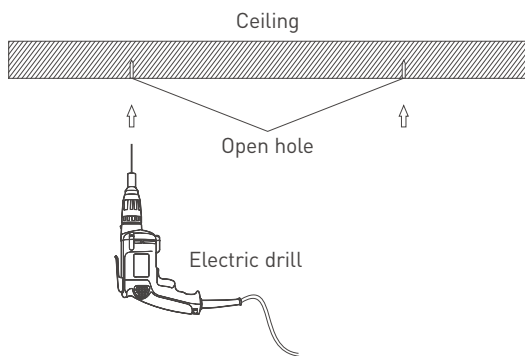
Specification

CRI: >80		CCT: 3000K, 4000K, 5000K, 6000K				Material: AL+PC	
Model	Size	Power	Pc Cover	Lumens (lm) ±10%	Pc Cover	Lumens (lm) ±10%	Package
LY-T5SL600-15W	2ft	15W	Frosted	1650	Clear	1800	710x260x180 (mm) 20pcs/ctn
LY-T5SL900-25W	3ft	25W	Frosted	2750	Clear	3000	1015x260x180 (mm) 20pcs/ctn
LY-T5SL1200-30W	4ft	30W	Frosted	3300	Clear	3600	1310x260x180 (mm) 20pcs/ctn
LY-T5SL1500-40W	5ft	40W	Frosted	4400	Clear	4800	1645x210x180 (mm) 16pcs/ctn
LY-T5SL1800-44W	6ft	44W	Frosted	4840	Clear	5280	1945x210x180 (mm) 16pcs/ctn
LY-T5SL2400-60W	8ft	60W	Frosted	6600	Clear	7200	2445x160x146 (mm) 9pcs/ctn

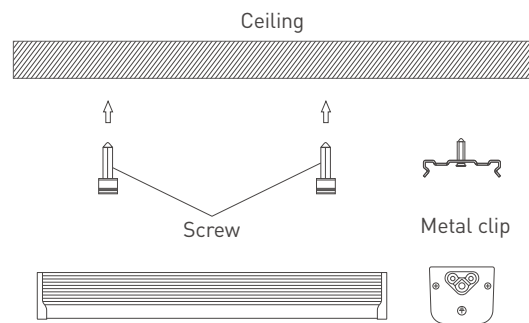
DARELO™

Steps Of Installation

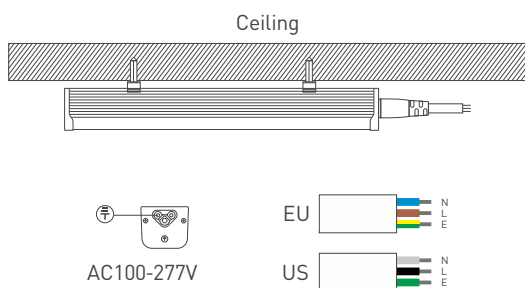
- To avoid electric shock, maintenance and installation should only be carried out by a professional electrician
- Before installation, turn off the power to make sure safety
- Follow the diagram for below for proper installation



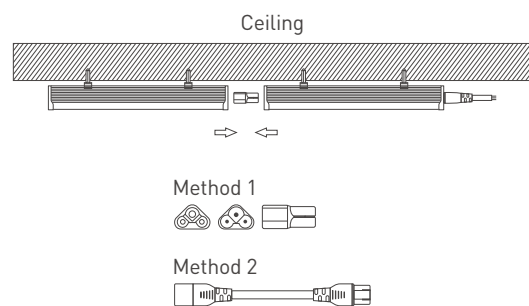
[1]. Make a right position and screw hole.



[2]. Fixed the clips between ceiling and light with screws.



[3]. Fixed rotatable clips & fixture with tighten screws.



[4]. Connected up by connector, done.

Warning

- Handle product with care.
- Please use it under correct input power range.
- Do not use in the outdoor environment.
- Consult with the manufacturer before maintenance.
- If the product does not operate properly, check the wire connection after the power cut off.