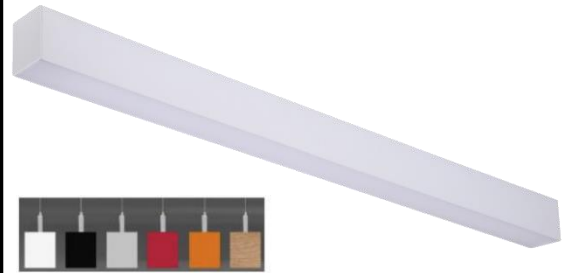


### FEATURES:

- Pendant/surface/recessed/wall mounting optional.
- Different patterns of connection with T/L/X corner.
- Single CCT & CCT tunable both available
- Direct Indirect Light available.
- Extruded aluminum with white painting.
- Color painted parts are treated with a five-stage phosphate bonding process and finished with high reflectance baked enamel.
- Polycarbonate milky diffuser is snapped into housing
- Surge protector.
- Class II/P driver, 0-10V dimming as standard.
- 50,000+ Hours LED Life Expectancy.
- Power factor: >0.9.
- Driver disconnect provided where required to comply with UL certificate.
- 5 Year Warranty.
- Damp location.
- UL, cUL listed.
- Ambient Temperature:-30 ~ 40 °C(-22° F to +104° F)
- Damp Location Rated



### Flexibility In Mounting



### Different connection with T/L/X corner



### APPLICATIONS:

- Storage rooms/Offices
- Conference rooms/Retail
- Reception areas/Hallways
- Education facilities



### Ordering information (standard)

Item	Watts	CCT	Efficacy	Lumens	Dimension(L*W*H):Inch		
 MX811CLM02012BVKDXW	20W	35K 40K 50K	110- 120lm/w	2,200- 2,400lm	24.02	2.76	3.35
 MX811CLM03013BVKDXW	30W	35K 40K 50K	110- 120lm/w	3,300- 3,600lm	35.71	2.76	3.35
 MX811CLM04014BVKDXW	40W	35K 40K 50K	110- 120lm/w	4,400- 4,800lm	47.44	2.76	3.35
 MX811CLM06016BVKDXW	60W	35K 40K 50K	110- 120lm/w	6,600- 7,200lm	71.06	2.76	3.35
 MX811CLM08018BVKDXW	80W	35K 40K 50K	110- 120lm/w	8,800- 9,600lm	94.49	2.76	3.35

### ORDERING

Model	Color of Lens	Watts	Length	Mounting Method	CCT	Driver	Accessories
MX811C	LM-Milky lens	020: 20W	12-2ft	B: Surface/ Suspended	30:3000K	D1-120-277V	A: No sensor&EM
		030: 30W	13-3ft		35:3500K	D2-347V	B: With Sensor
		040:40W	14-4ft	W: Wall	40:4000K	D3-120-347V	C: With EM
		060:60W	16-6ft	R: Recessed	45:4500K	D4-120-277V	D: With Sensor&EM
		080:80W	18-8ft		50:5000K	wattage selectable	
					VK-CCT tunable	D5-120-347V wattage selectable	
						D6-347-480V	

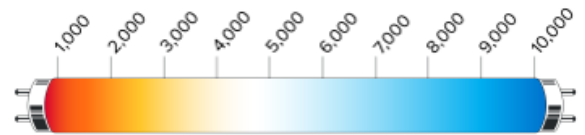
### CCT Tunable



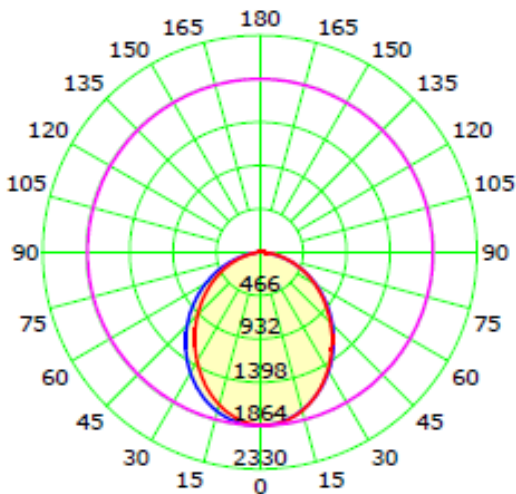
3000K/3500K-Warm White

4000K-Nature White

5000K-Cold White



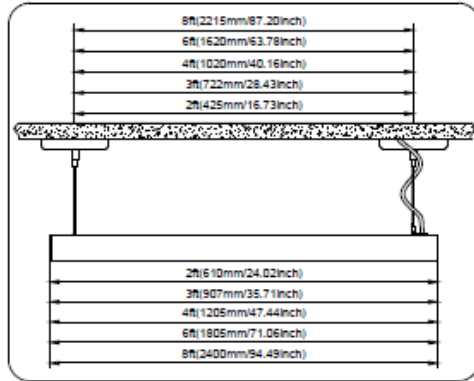
### PHOTOMETRIC



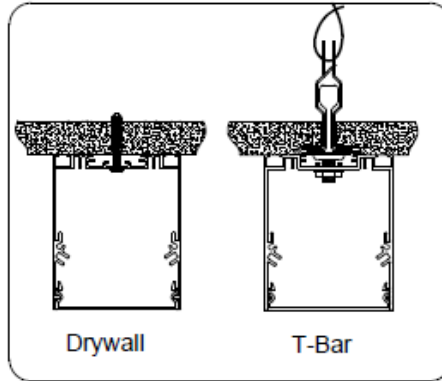
Luminaire	4000K
Input Voltage(VAC)	120-277
Power (W)	41.52W
Delivered Lumen(Lm)	4650.24Lm
Efficacy(Lm/W)	112Lm/W
Beam Angle	H102.4 V96.0
Power Factor(PF)	>95
Color Rendering Index(CRI)	>80

## INSTALLATION

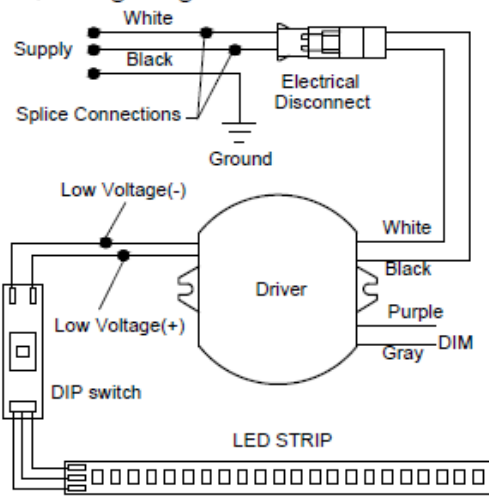
### Installation Dimension(suspended)



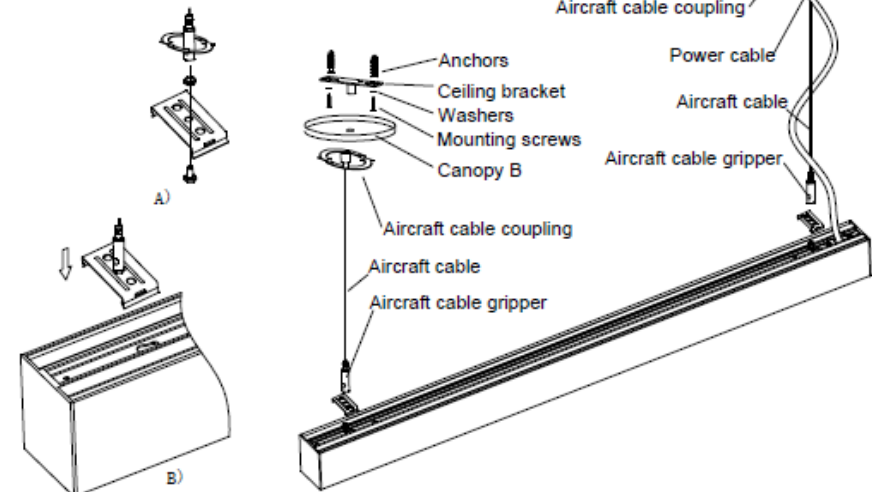
### Surface mounted



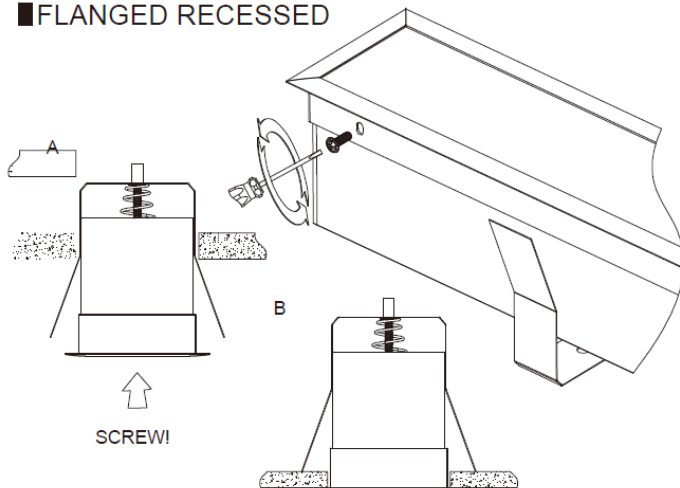
### Wiring Diagram



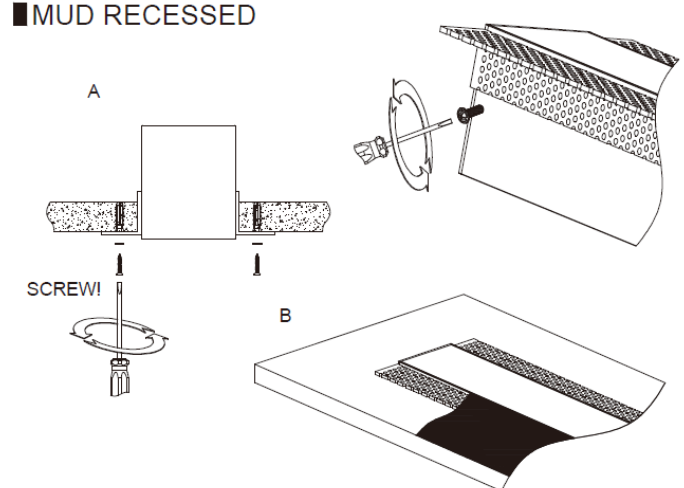
### SUSPENDED MOUNT



### FLANGED RECESSED



### MUD RECESSED



### Accessories to be added separated

#### 1. Sensor & Emergency kit

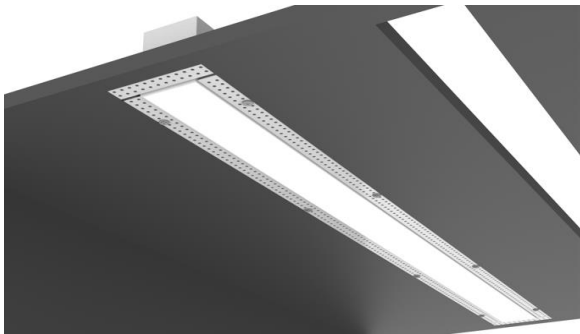


Internal Microwave  
Dimming Sensor

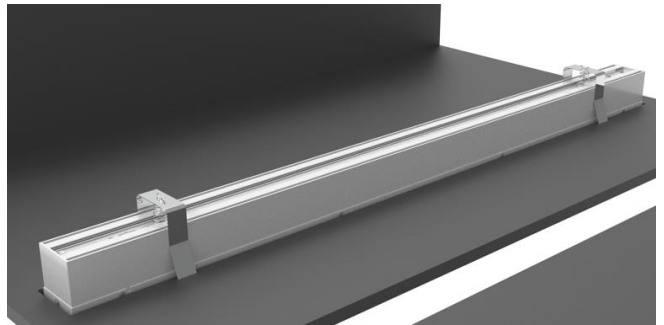


8W 90mins EM Backup  
Lithium Battery

#### 2. Recessed kit



Trimless recessed(Mud in flange)



Trim recessed(recessed kit)

#### 3. Wall mounted



Wall mounted kit

#### 4. Suspended kit

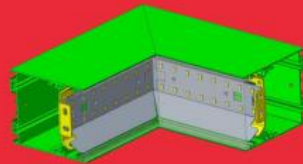
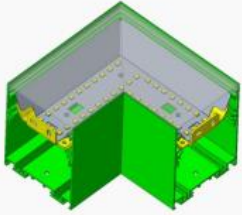


Aircraft cable & canopy kit

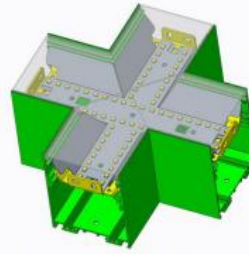
### Accessories to be added separately

#### 5. Different joiners

L 90degree corner

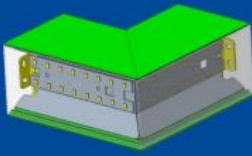


inside corner

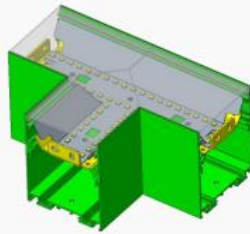


cross corner

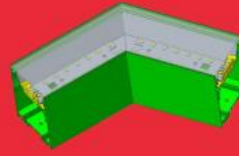
**Corner Fitting**



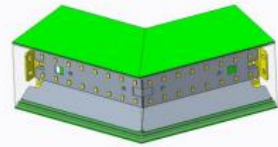
Outside Corner



Tee

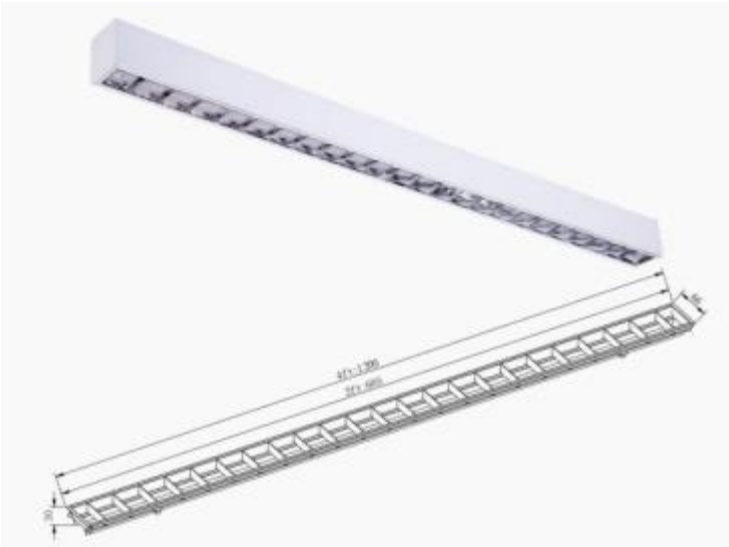


120 degree corner

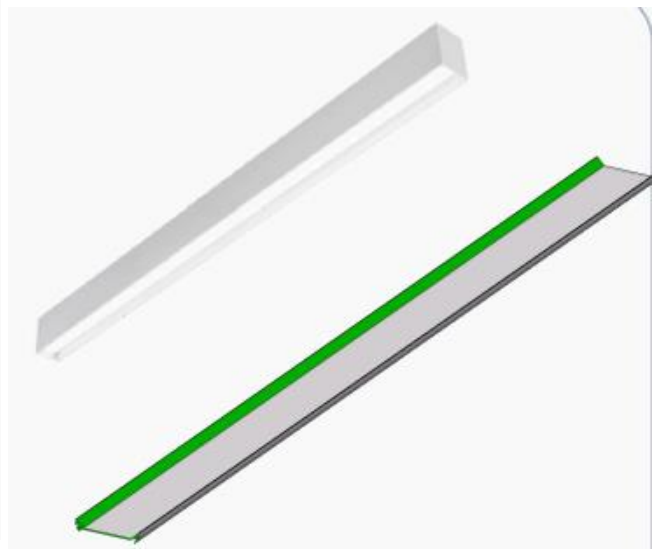


Outside 120degree

#### 6. Louver lens accessories



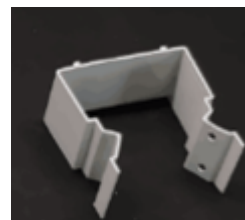
#### 7. Regressed lens accessories



#### 8. Continuous Roll-out Lens

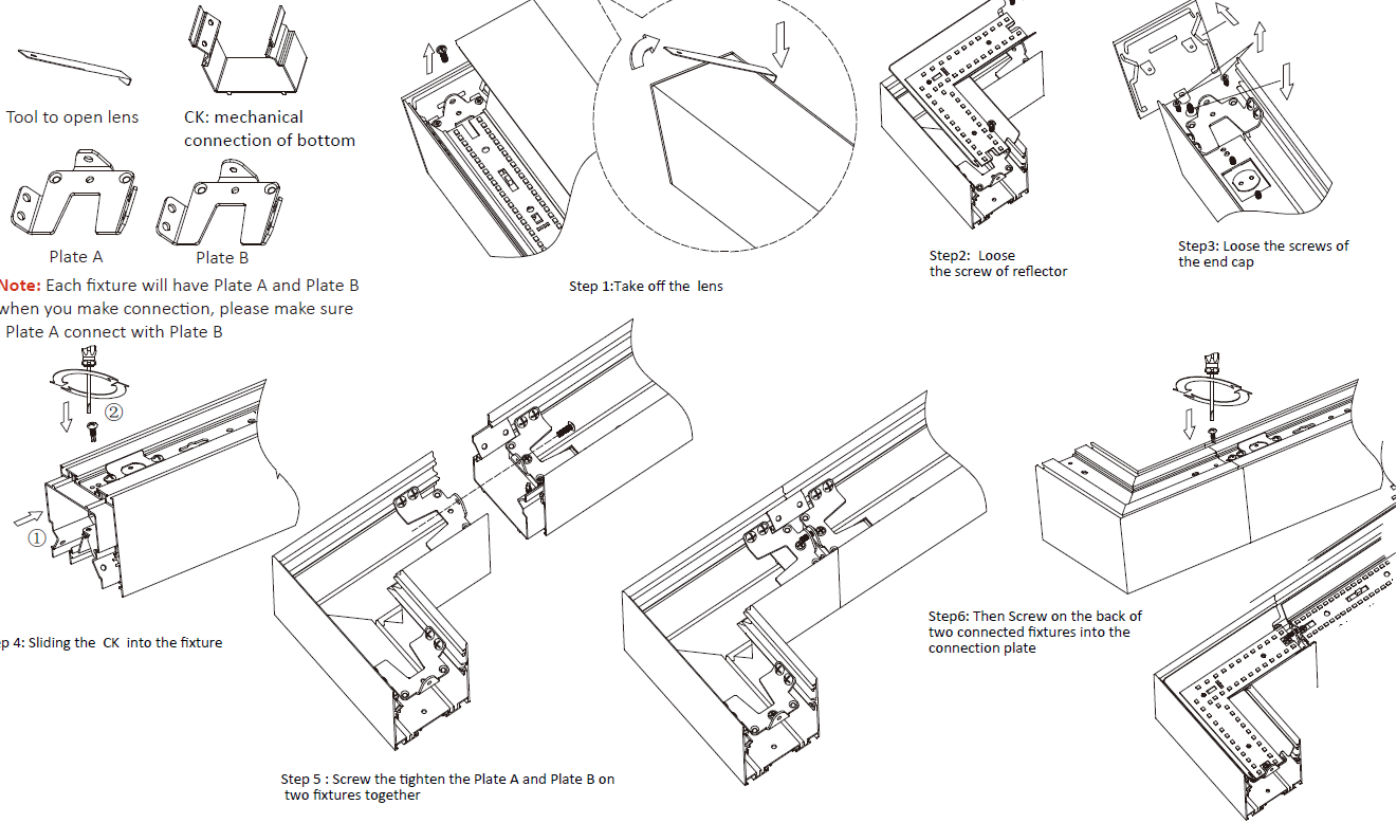


#### 9. Continuous kits

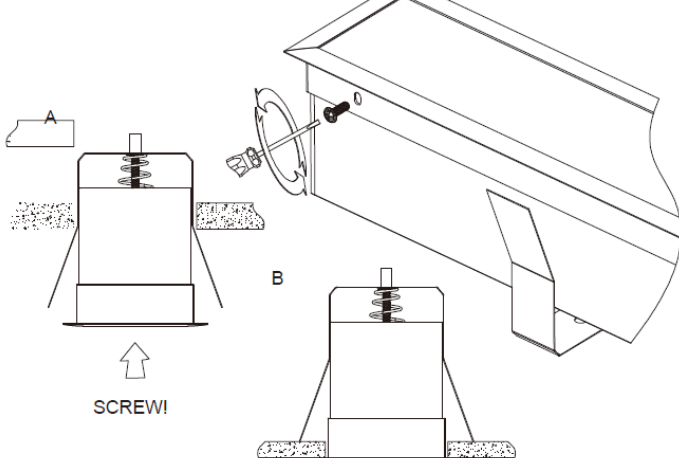


## INSTALLATION

### CONNECTION



### FLANGED RECESSED



### MUD RECESSED

