

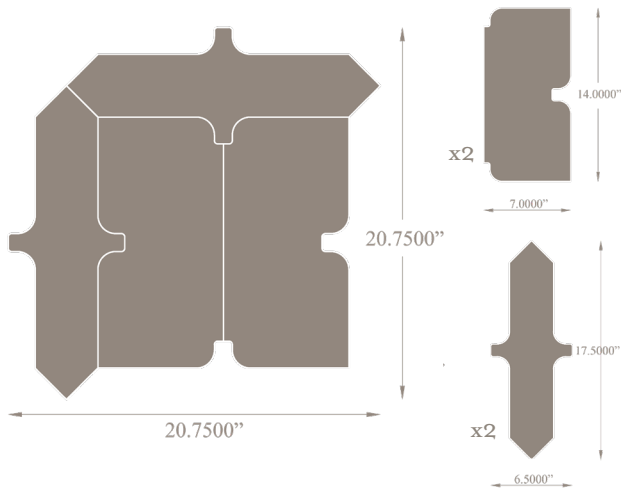
# chained

ENIGMA COLLECTION FOR FLOORS, WALLS & CEILINGS

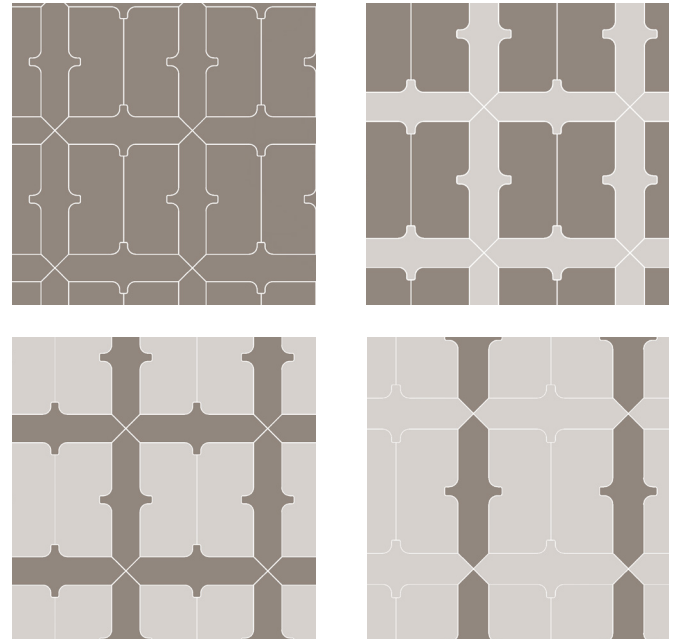


JAMIE BECKWITH®  
COLLECTION

## 1. PATTERN AND REPEAT



## 2. LAYOUT SUGGESTIONS



## SPECIFICATIONS

### WOOD TILE CONSTRUCTION:

Engineered wood.  
4mm wear layer over 9 ply substrate.

### THICKNESS:

5/8 inches.

### REPEAT:

4 Pieces: 2.130 SF  
2 Center tiles & 2 border tiles

### BOX QUANTITY:

21.3 SF per box.  
40 Tiles per box/ 10 repeats.

### COVERAGE PER TILE:

Varies

### INSTALLATION:

Glue down. (See installation guidelines)  
Wood tiles are NOT provided on a mesh or panel backing.

### USAGE:

Warranted for Commercial or Residential floors, walls & ceilings.  
Not suitable for areas exposed to running water: inside showers, etc.  
Not suitable for outdoor applications.

### LEADTIME:

6-8 weeks for production.  
Expedited options available upon request for an upcharge.

### PRICING:

Varies by pattern & wood species.  
Multiple stain selections do not affect pricing.

### FIRE RATING:

Class C. (Class B available upon request)

### STAINING SYSTEM:

Rubio Monocoat hard oil finish - no VOC.  
Available unfinished.

### LEED CREDITS:

2009 NC/CI MR Credit 5 - Regional Materials  
2009 NC/CI IEQ Credit 4.1-4.4 - Low Emitting Finish

\*\*\*This product may contribute to the achievement of LEED credits, although JBC makes no guarantees of representation of such.

### CAD PATTERNS AVAILABLE UPON REQUEST.

Contact your local JBC representative.

## 3. SPECIES



Plain White Oak

Walnut



Quarter White

## 4. STAINS

### AVAILABLE ON WHITE OAK SPECIES



Polished Amber

Dolphin

Smokey Quartz

Black Onyx

Grey Moonstone

Pickled Pearl

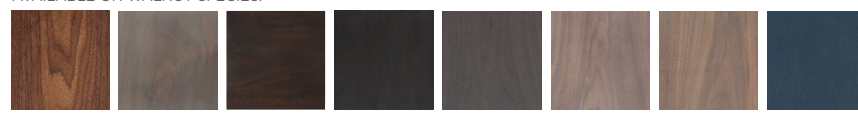
Mist

Gris

Slate

Sapphire

### AVAILABLE ON WALNUT SPECIES:



Polished Amber

Dolphin

Smokey Quartz

Black Onyx

Grey Moonstone

Pickled Pearl

Mist

Sapphire