



proton  
EUROPE

[www.proton-europe.com](http://www.proton-europe.com)

# DESCONGELADOR FUSION BF-100



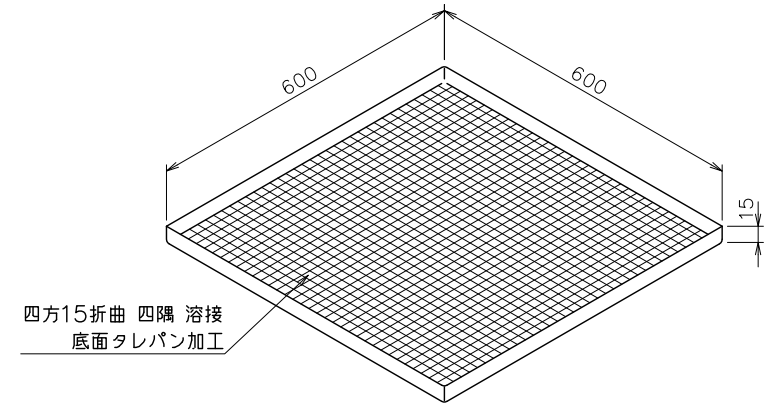
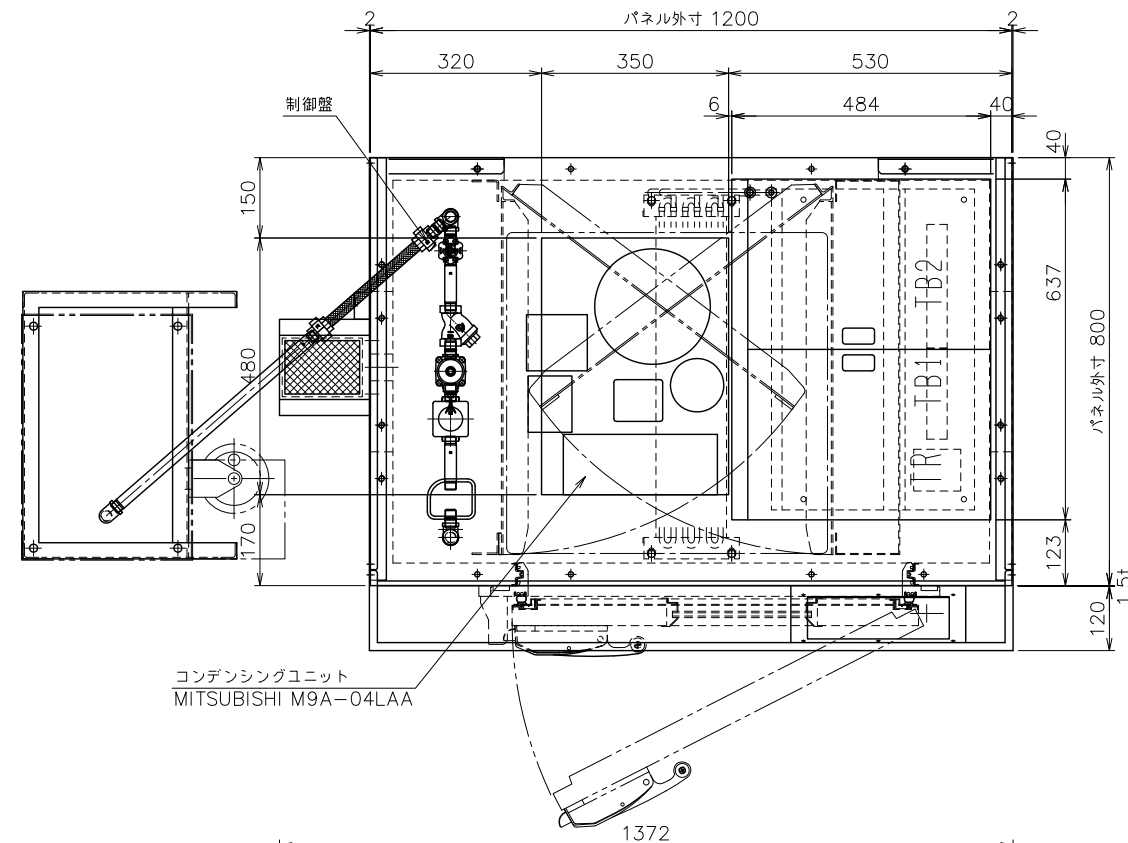
オートクレーブ



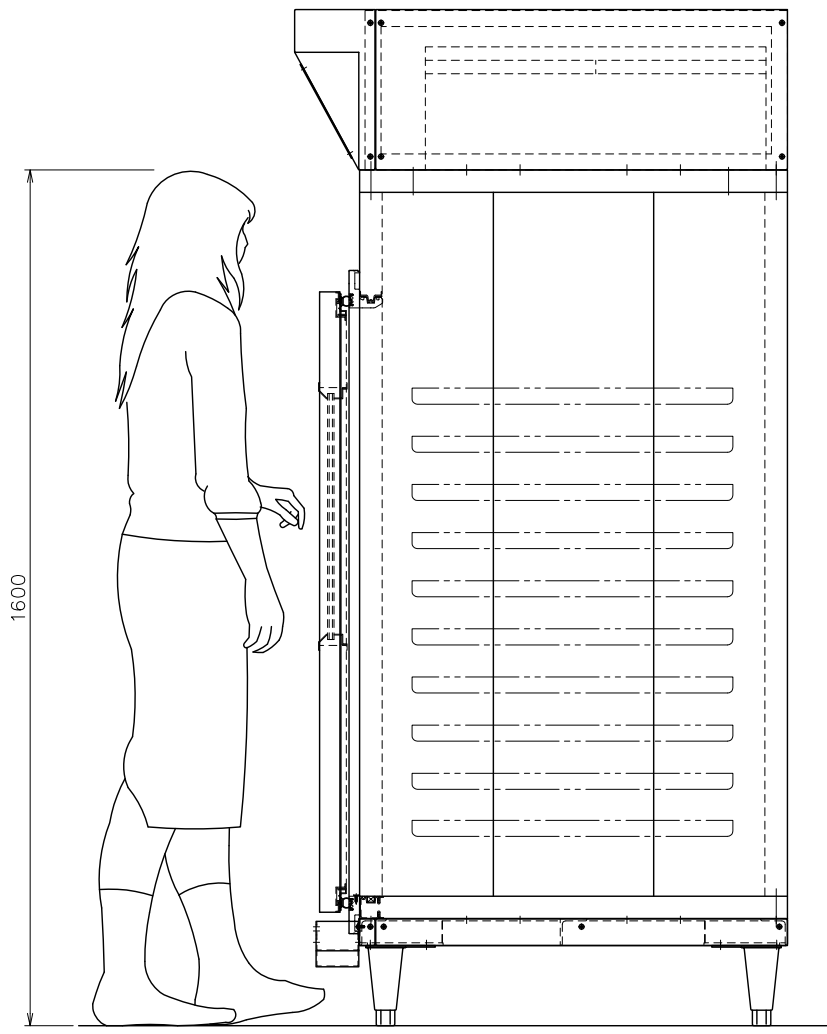
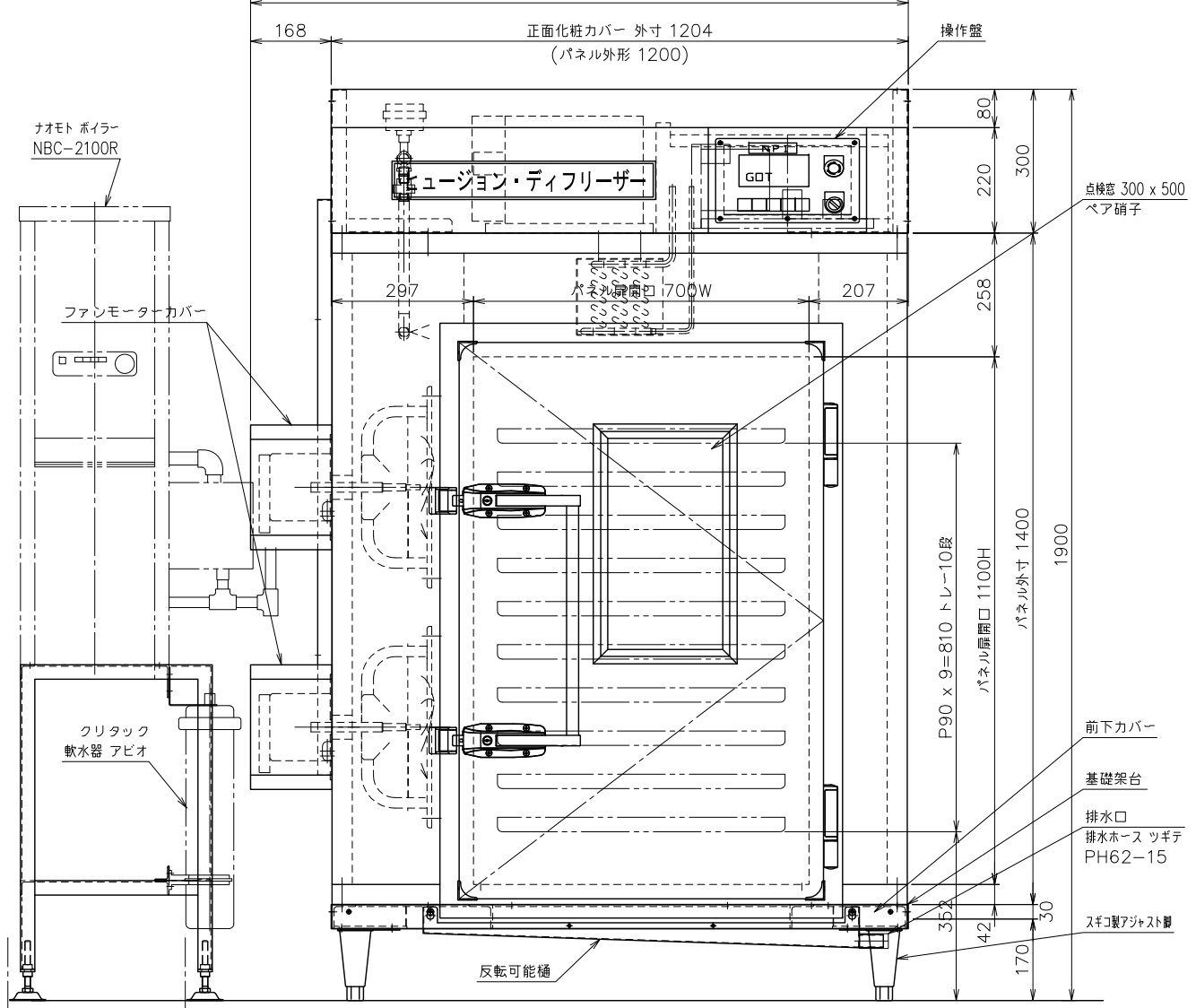
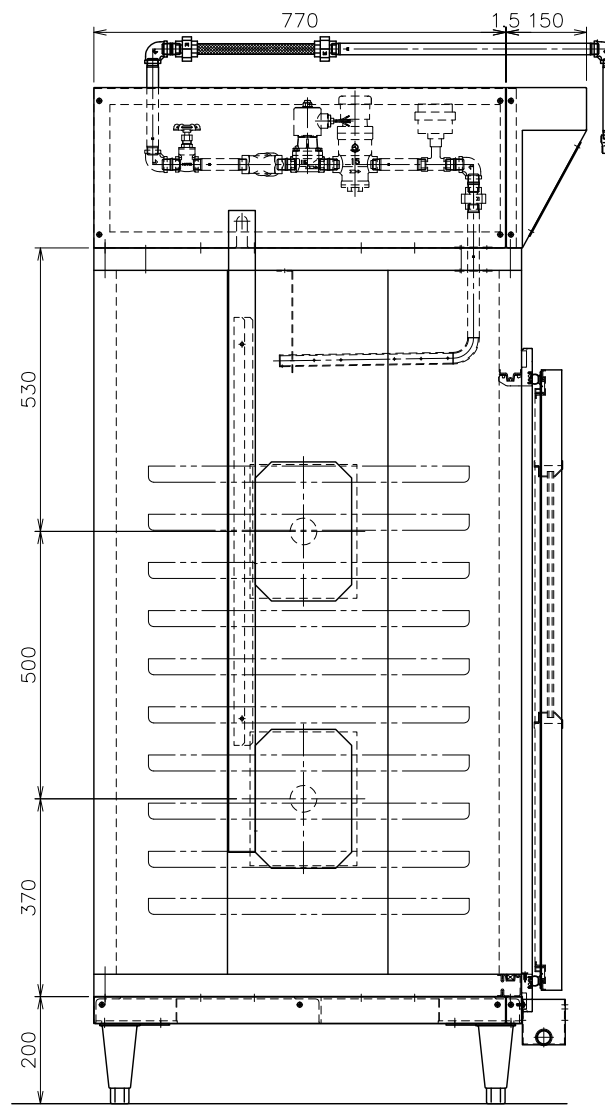


## Defrost Machine Specification

Items	Specification
Application	Thawing system 500kg/batch
	※ Maintain high humidity and condensate steam on the product surface.
Thawing program	First step: frozen storage "0 ° C to -8 ° C" + timer holding Second step: frozen storage "15 ° C to 28 ° C" + timer holding Third step: frozen storage "15 ° C to 28 ° C" + timer holding Fourth step: refrigerated storage "-2 ° C. to 5 ° C."
Defrost time	Defrost time varies depending on the product.
Machine configuration	Insulation panel + decompression unit + refrigeration unit + control panel
Operation overview	Temperature controller 4 types, timer switching "Frozen storage + thawing ① + thawing ② + refrigerated storage"
External dimensions	reference other document
Insulation Panel	Urethane panel for refrigeration, inner surface SUS / outer surface color steel plate
Defrost unit	Frame SUS 304, door type punching rectification version Axial flow FAN: case SUS, feather AL, motor SUS coat Steam control: PID control by freezing machine continuous operation and steam proportional valve
Refrigeration unit	Steam piping: SUS 304 Outdoor unit: Refrigerant R 410 A, integrated air cooling condensing unit Unit cooler: case AL, copper tube fin (cation specification)
Control panel	Wall-hanging type made of copper plate
Option	Cart, punching tray, steam filter
Power Supply	Electricity: Power supply to indoor control panel and outdoor unit Steam: dry steam connection to the main unit Drainage: condensate drainage in the storage



トレー 製作数 x 10枚  
 SUS304-1t  
 底面のみタレパン パンチング加工  
 開口率: 40.3% φ8 x P12



CLIENT NAME	DRAWING NAME	SCALE	DATE	DRAWING NO.
	ヒュージョン・ディフリーザー (BF-100型) 外形図	1/10	2009/12/22	R2038F-BF100-00