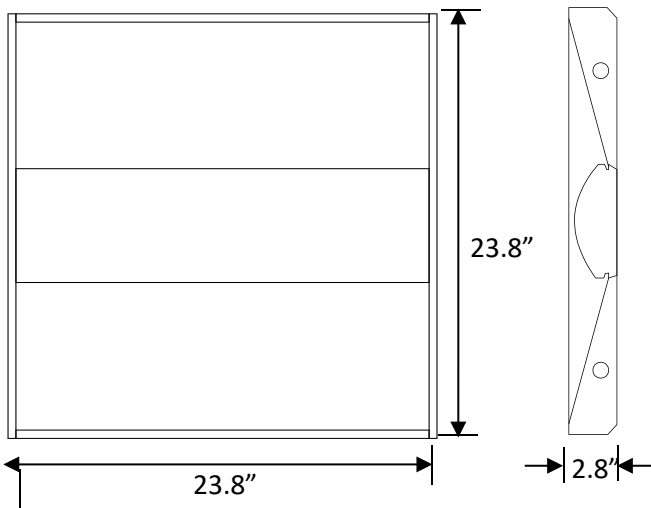


## BFT22D SERIES



### Dimensions:



### Product Description

Darelo BFT22D SERIES 2'x2' LED Troffer is ideal for offices, schools, retail spaces, hospitals and many other indoor locations. Compatible with most industry standard T-bar grids. Long-life LEDs and high-efficiency driver provide superior illumination for extended service life.

### INTENDED USE

The Darelo BFT22D SERIES LED troffer combines clean, fine lines with a unique design that complements any space. The completely luminous optical system provides a concave visual appearance while providing high fixture performance and even illumination. Beelite® BFT22D SERIES LED troffer is also available with a number of control options thus providing the ability to dim or control the lighting providing the ability to save energy and operate with multiple control systems including daylight or occupancy sensors.

### CONSTRUCTION

Rugged, one-piece cold-rolled steel reflector assembly with embossed steel for increased structural integrity and strength. White polyester powder-paint after fabrication.

### OPTICS

Luminous optical system consists of a unique blend of high performance transmittance diffuser coupled with a concave, clear, ribbed refractor for and unique multistep appearance. To improve fixture performance and eliminate pixilation the diffuser uses a unique blend of high molecular weight polymer beads with unrelated refractive index.

### ELECTRICAL

Long-life LEDs, coupled with high-efficiency drivers, provide superior quantity and quality of illumination for extended service life. RAL is rated to deliver L80 performance for 50,000 hours. LED driver delivers full-range dimming from 0-10V control signal.

### INSTALLATION

Lightweight and easy to install in any standard T-Bar system. LED boards include plug-in connectors for easy replacement or servicing. Suitable for damp locations.

### REGULATORY & VOLUNTARY QUALIFICATIONS

UL listed. Tested to LM80 standards. DLC qualified. Please refer to the DLC QPL website for the latest and most complete information.  
[www.designlights.org/QPL](http://www.designlights.org/QPL)

### Warranty

5 years limited warranty.

### Note

Actual performance may differ as a result of end-user environment and application. All values are design or typical values, measured under laboratory conditions at 25°C.

### ORDERING INFORMATION

Wattage	Item Code	Voltage	Lumens	Lumens per Watt	Color Temperature	CRI	Certification	Chip	Standard Carton Qty.
24W	BFT22D2430	120-277V	3000 lm	125	3000k	80	UL, DLC	Philips high brightness LOMILERS/2835C	1
	BFT22D2440				4000k				
	BFT22D2450				5000k				
37W	BFT22D3730		4500 lm	121.6	3000k				
	BFT22D3740				4000k				
	BFT22D3750				5000k				

### PHOTOMETRIC DATA

**LUMINAIRE DATA**

Model	BFT22DD2430
Luminaire	RLA Led, Recessed Architectural 2x2 recessed LED Luminaire
Ballast	DIM35W12S-620
Ballast Factor	1
Lamp	LED
Fixture Lumens	3041.6
Watts	24.29
Mounting	Recessed
Shielding Angle	0°=90 90°=90
Spacing Criterion	0°=1.19 90°=1.10
Luminous Opening In Feet	Length: 23.8" Width: 23.8" Height: 2.8"

**Zonal Lumen Tabulation**

r(°)	Lumens	%Total
0-60	2317.1	76.18%
60-90	721.7	23.73%
0-90	3038.9	99.91%
90-180	2.7	0.09%
0-180	3041.6	100.00%

**Energy Data**

Total Luminaire Efficiency	100%
Total Lumens Per Watt	125.2
ANSI/IESNA RP-1-2004 Compliance	Noncompliant
Comparative Yearly Lighting Energy Cost per 1000 Lumens	\$2.76 based on 3000 hrs. and \$0.08 per KWH

Test 30 Test Date 10/07/2017

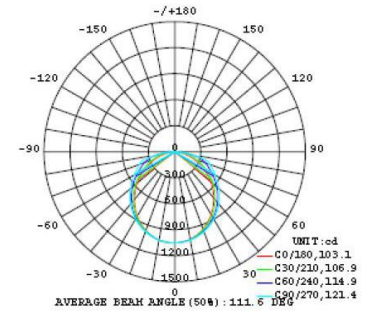


Chart 4: Polar Candela Distribution

**LUMINAIRE DATA**

Model	BFT22DD2450
Luminaire	RLA Led, Recessed Architectural 2x2 recessed LED Luminaire
Ballast	DIM35W12S-620
Ballast Factor	1
Lamp	LED
Fixture Lumens	3142.7
Watts	24.29
Mounting	Recessed
Shielding Angle	0°=90 90°=90
Spacing Criterion	0°=1.19 90°=1.10
Luminous Opening In Feet	Length: 23.8" Width: 23.8" Height: 2.8"

**Zonal Lumen Tabulation**

r(°)	Lumens	%Total
0-60	2358.3	75.04%
60-90	782.1	24.88%
0-90	3140.4	99.93%
90-180	2.3	0.07%
0-180	3142.7	100.00%

**Energy Data**

Total Luminaire Efficiency	100%
Total Lumens Per Watt	130.2
ANSI/IESNA RP-1-2004 Compliance	Noncompliant
Comparative Yearly Lighting Energy Cost per 1000 Lumens	\$2.76 based on 3000 hrs. and \$0.08 per KWH

Test 30 Test Date 10/07/2017

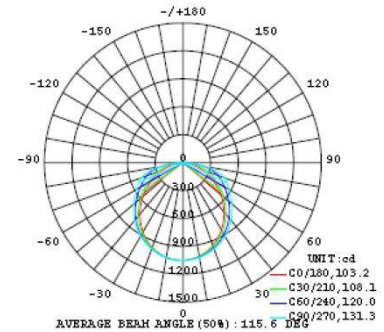


Chart 4: Polar Candela Distribution

**LUMINAIRE DATA**

Model	BFT22DD3030
Luminaire	RLA Led, Recessed Architectural 2x2 recessed LED Luminaire
Ballast	DIM35W12S-750
Ballast Factor	1
Lamp	LED
Fixture Lumens	3603.3
Watts	28.97
Mounting	Recessed
Shielding Angle	0°=90 90°=90
Spacing Criterion	0°=1.19 90°=1.10
Luminous Opening In Feet	Length: 23.8" Width: 23.8" Height: 2.8"

**Zonal Lumen Tabulation**

r(°)	Lumens	%Total
0-60	2705.4	75.08%
60-90	894.3	24.82%
0-90	3599.7	99.90%
90-180	3.6	0.10%
0-180	3603.3	100.00%

**Energy Data**

Total Luminaire Efficiency	100%
Total Lumens Per Watt	125.2
ANSI/IESNA RP-1-2004 Compliance	Noncompliant
Comparative Yearly Lighting Energy Cost per 1000 Lumens	\$2.76 based on 3000 hrs. and \$0.08 per KWH

Test 30 Test Date 10/07/2017

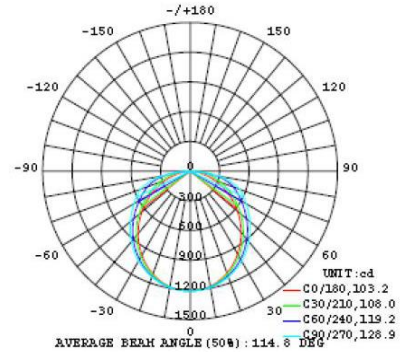


Chart 4: Polar Candela Distribution

**LUMINAIRE DATA**

Model	BFT22DD3730
Luminaire	RLA Led, Recessed Architectural 2x2 recessed LED Luminaire
Ballast	DIM40W12S-1050
Ballast Factor	1
Lamp	LED
Fixture Lumens	4596.4
Watts	36.82
Mounting	Recessed
Shielding Angle	0°=90 90°=90
Spacing Criterion	0°=1.19 90°=1.10
Luminous Opening In Feet	Length: 23.8" Width: 23.8" Height: 2.8"

**Zonal Lumen Tabulation**

r(°)	Lumens	%Total
0-60	3460.8	75.29%
60-90	1131.0	24.61%
0-90	4591.7	99.90%
90-180	4.7	0.10%
0-180	4596.4	100.00%

**Energy Data**

Total Luminaire Efficiency	100%
Total Lumens Per Watt	124.8
ANSI/IESNA RP-1-2004 Compliance	Noncompliant
Comparative Yearly Lighting Energy Cost per 1000 Lumens	\$2.76 based on 3000 hrs. and \$0.08 per KWH

Test 30 Test Date 10/07/2017

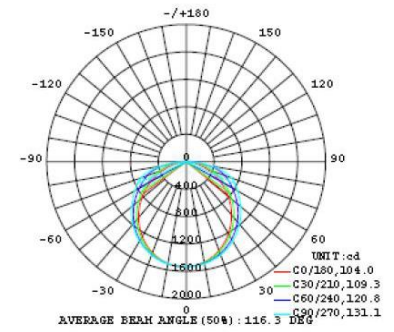


Chart 4: Polar Candela Distribution