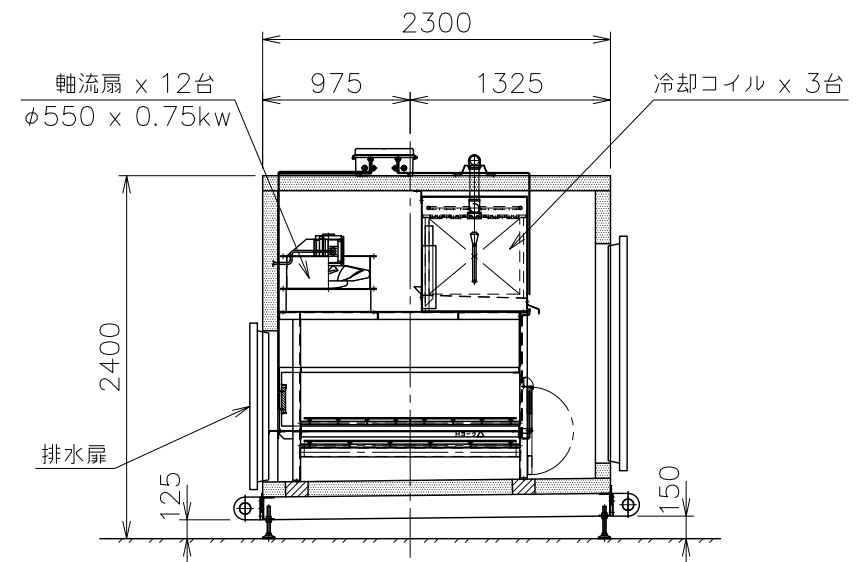
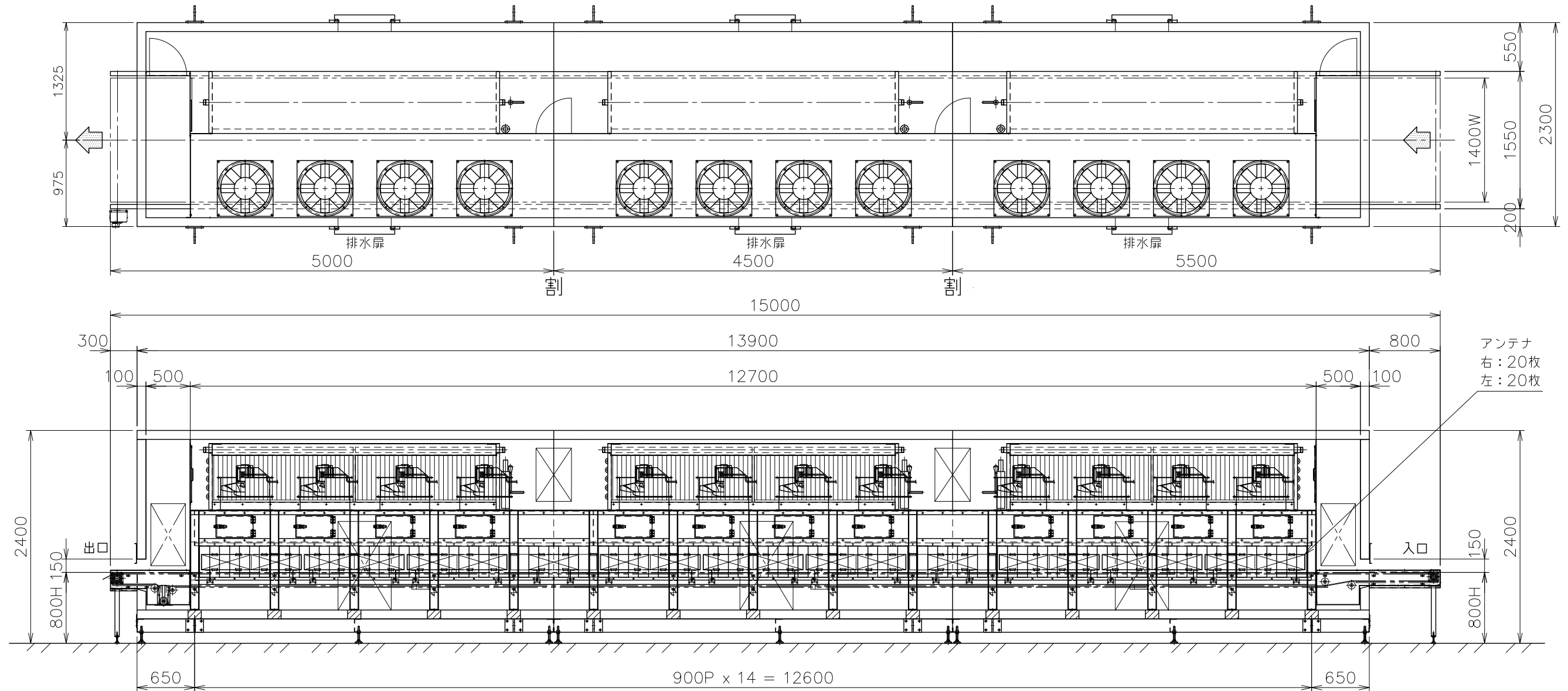




proton
EUROPE

www.proton-europe.com

CONGELADOR PROTON TU-500



CLIENT NAME	DRAWING NAME	SCALE	DATE	DRAWING NO.
	プロトン凍結トンネル PRT-500型 外形図	1/50	2016/10/12	PRT-14150M-500F-01

TU-500 specification Document

Chapter	Specification
Standard specification	
Use	foodstuffs Continuous rapid-freeze device
Inside temperature setting	air blast method -35°C~-38°C
A temperature of foodstuffs	Standard value at first about 20°C → -18°C
Throughput	500kg/h freezing
	It has the capability to freeze 500 kg per hour of food.
	Standard value The amount of moisture in food is made into 60%.
Freezing time	depending on food ,foods size ,properties of matter
	Please check a standard by a prior test.
Standard capacity	Belt conveyor size 1400x13900
	(It is necessary to confirm whether the length of the conveyor is
	appropriate by setting the freezing time at the products.)
Dimensional outline drawing	Refer to attached sheet.
Conveyor spec	SUS304 1400W×13900L
	Speed adjustment 15 to 90 minutes
Transmitter sets	Transmitter amplifier and Antennas (complete set)
The set of "yoke unit mechanism"	Stainless steel cover structure
Main body	Main aggregate : SUS304
	heat insulator : Urethane panel facebar ; SUS304
Freezing machine	R404A、"integrated air cooled type condensing unit"
	(installed outdoors)
Coolig fan	SUS blower
Coolig machine	copper pipe , copper fin , Casing SUS , water spray defrost metho
Continuous operation hours	8 hours
Defroster system	watering method
Various standards	Safety standards and electrical atandards in Japan
Equipment work	
Electrical equipment and water supply and drainage of factory structure	Electric supply to a main body and an exterior unit (freezer) ※see annex flow sheet
Water supply	0.2MPa、200L/min Please connect
Electricity	Electric supply to a main body and an operator control panel
	rated power : 20kW (3Φ 200V)
	Electric supply to an exterior unit (freezer)
	rated power : 75kW (3Φ 200V)
Drainage	A watering defroster is performed from a front door of main body.