

MagraHearth Mantels Mounting Instructions

Non-Combustible ASTM E-136*

*Standard Test Method for Behavior of Materials in a Vertical Tube Furnace of 750 Degrees

Tools needed:

Parts:

Power screw driver with Phillips head drive	1- MagraHearth Mantel
Level	1- Mounting Bracket 2" x 3"
Tape Measure	4- 2 1/4" self-drilling screws for Mantel
Stud Locator	8- 2 1/4" sharp point screws for Mounting Bracket

- **Mantels are true replications of centuries-old & natural materials. There are inherently irregular aspects of these artifacts.**
- **All pieces can be cut to size – Use a diamond blade 4 1/2 inch grinder or circular saw. Wearing safety glasses, and respirator is recommended.**
- **Recommended two people to lift and install mantel.**

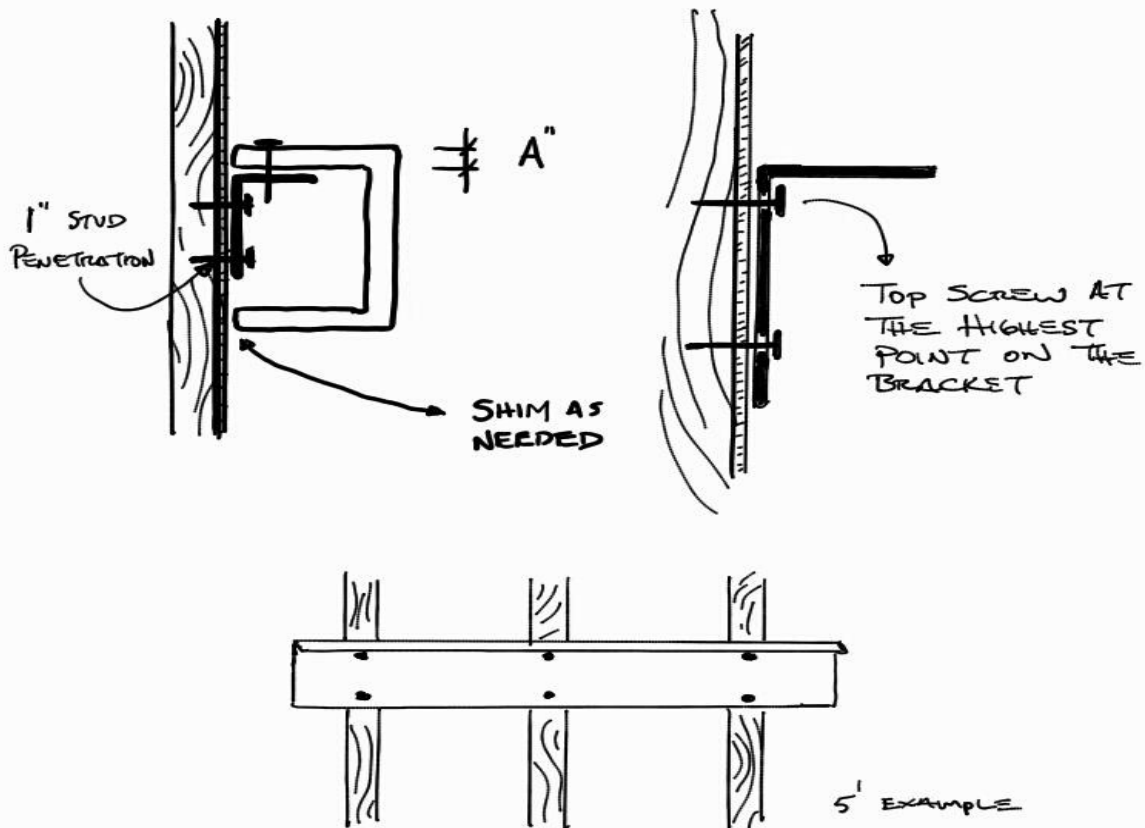
Note:

- **If you are unable to find studs, you need to open the wall and add wood studs or 16 gauge metal studs if in the non-combustible zone.**
- **A minimum of three studs are required to safely install a 5 ft. mantels, minimum 4 studs for 6 ft. mantels. Using 2 1/4" sharp point screws, attach mounting bracket to studs with two screws per stud. See drawing on page 2 for details.**
- **The mounting bracket that is 2" x 3" should be installed 3" flat on wall with 2" on top.**
- **If part or all of the mantel is over the metal face of the unit, self-tapping screws may be used to install mounting bracket directly to the unit.**
- **If attaching mounting bracket over a masonry surface use proper masonry anchor for the type of surface you are attaching to- consult your fastener supplier. The anchor should be able to support 4 times the load.**
- **Bottom of mantel should be a minimum of 6 inches above the glass trim of any unit less than 50K BTU's. Bottom of mantel should be a minimum of 12 inches above the glass trim of any unit exceeding 50K BTU's.**

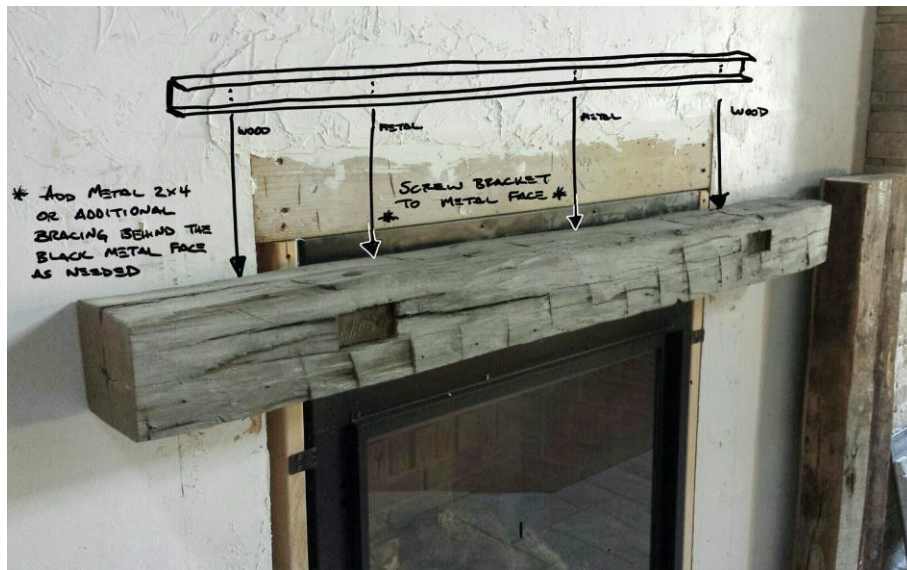
INSTALLATION INSTRUCTIONS

- **Step 1.** Unpack mantel from box. Remove protective foam. Note: The top flange of mantel has pre-drilled mounting holes.
- **Step 2.** Remove mounting bracket carefully from inside mantel. Mounting screws will be in a plastic bag inside the mantel.
- **Step 3.** Determine and mark vertical and horizontal center for top of mantel on wall.

- **Step 4.** Due to varying mantel sizes, subtract dimension "A" from top mantel horizontal centerline for mounting angle placement.
- Now that you have determined the correct height for attaching the mantel draw a horizontal line. Install centered mounting bracket with 2 sharp point screws
- You will need two people to place the mantel on the bracket and check for level, take the mantel off and stabilize the mounting bracket with remaining screws.



*Picture below is if mantel is over metal on fireplace unit. Still finding 3 studs for 5ft and 4 studs for 6ft mantels.



Step 5.

- With 2 people, lift mantel and place over mounting bracket.
- When centered and flush against wall, place (1) 2 ¼" inch self-drilling screw in the center pre-drilled hole on top of mantel. Screw through mounting angle until fastener head is flush with countersunk hole. **DO NOT OVERTIGHTEN.**

*** Fasten screws through the provided holes on top of mantel. Do not screw through the bottom of the mantel.**

Step 6.

- Check mantel for level front to back.
- Shims may be required to level mantel. Install non-combustible shims over the studs.

If Outdoor Use:

- If used outdoor, mantel/s must be sealed both inside and outside with an outdoor sealer.
- Entire back edge, top and sides of the mantel must be sealed to the wall/ stone/ facing/ Etc. with a **local building code** proved exterior caulk, non-combustible if need be.
- All Screws heads must be sealed with a **local building code** proved exterior caulk, to stop the penetration of water, rain, moisture, snow, and ice. Failure to do so could result in freeze thaw and could cause the mechanical fasteners to shear.

If Covering Mantel:

- If for any reason you need to cover your mantel, use the cardboard box your mantel came in to cut strips to cover and/or wrap around your mantel.
- Do not use tape directly on the mantel for some tape can leave a residue and remove mantel finish. This does include the common blue painter's tape.

Touch Up Instructions:

- Shake the vial of stain thoroughly before using and even tapping the stain vial on a hard surface to break up color pigments.
- Take the color stain vial that most closely matches your MagraHearth product and gradually apply it to the affected area. We recommend applying a light coat of black first and layering the colors to get the best possible match.
- You may need to reapply the stain as it is absorbed or wipe away any excess.

Your installation of the MagraHearth Mantel should now be complete. If you have any questions, you can contact us at techsupport@magrahearth.com.